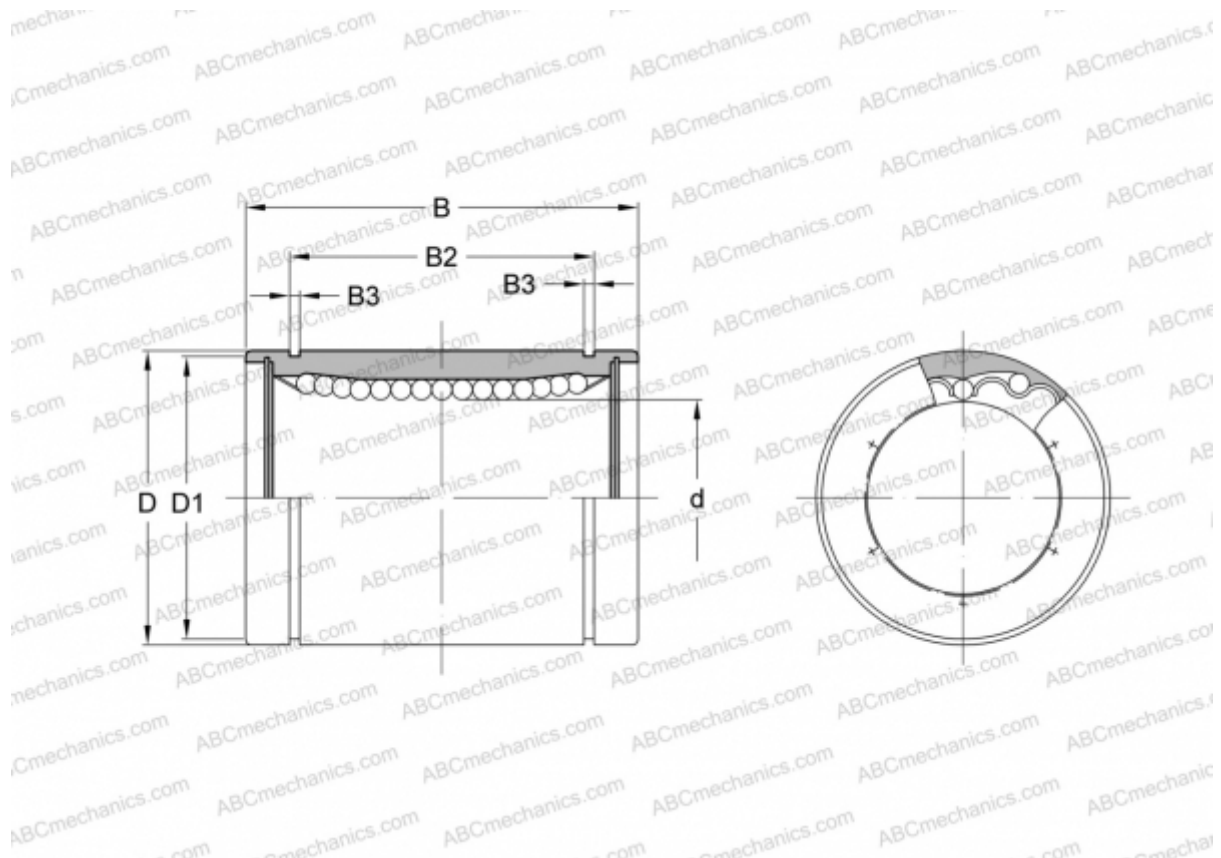


## LM40 UU SAMICK

Linear bushing

TYPE: Shaft guidance systems, Linear bushing, Standard, Close type, Type LM, Asian standard, Plastic cage (SAMICK)



### Technical specification

#### DIMENSIONS, MM

d	40,000
D	60,000
B	80,000
D1	57,000
B2	60,500
B3	2,100

**WEIGHT, KG** 0,585

**MANUFACTURER** [SAMICK](http://www.samick.com)