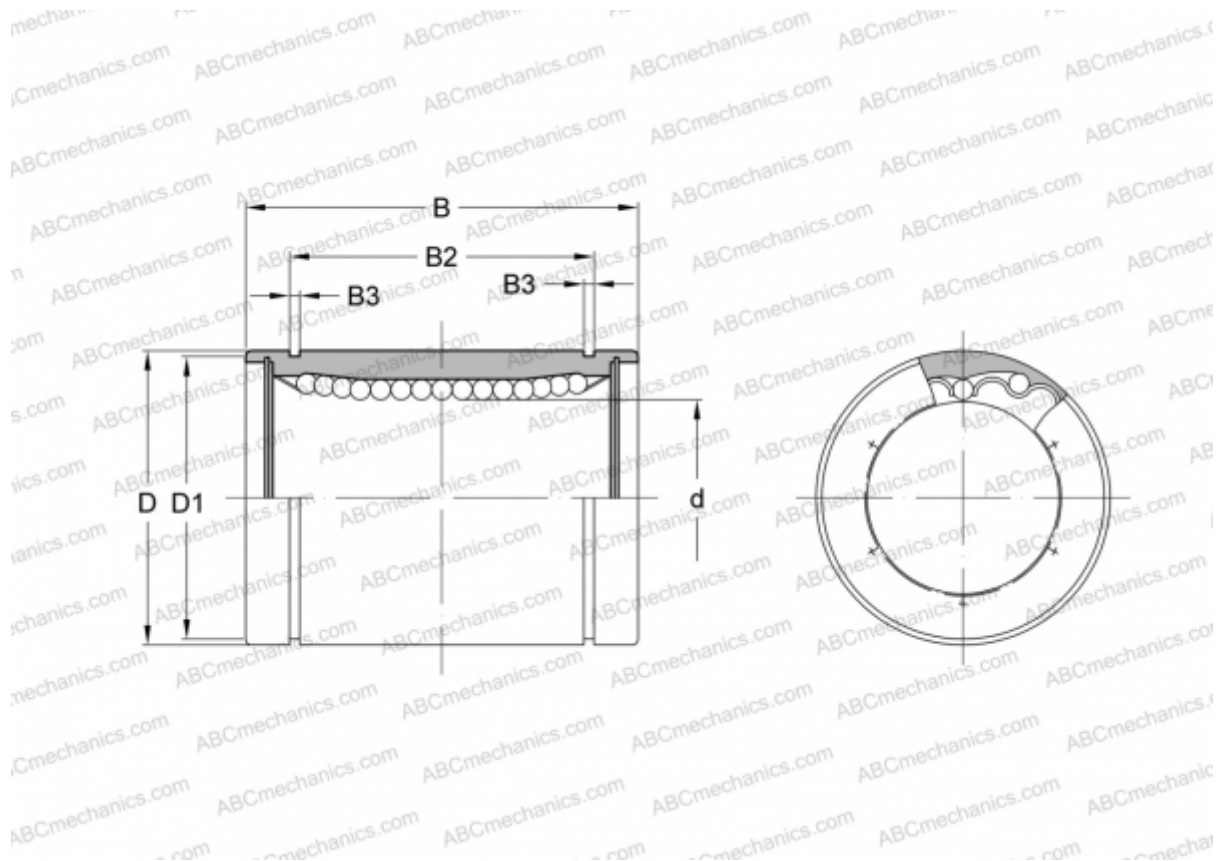


## LM50 UU SAMICK

Linear bushing

TYPE: Shaft guidance systems, Linear bushing, Standard, Close type, Type LM, Asian standard, Plastic cage (SAMICK)



### Technical specification

#### DIMENSIONS, MM

d	50,000
D	80,000
B	100,000
D1	76,500
B2	74,000
B3	2,600

**WEIGHT, KG** 1,580

**MANUFACTURER** [SAMICK](#)