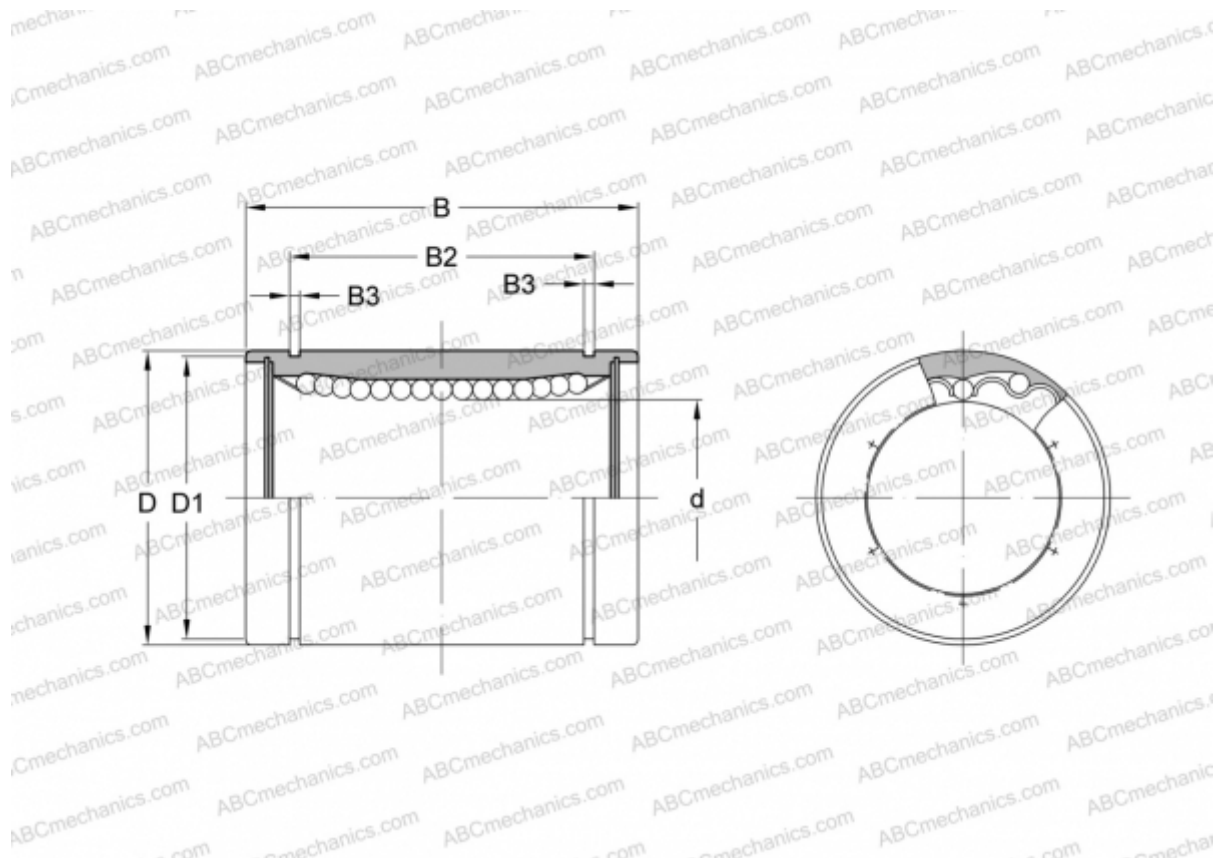


LM80 UU SAMICK

Linear bushing

TYPE: Shaft guidance systems, Linear bushing, Standard, Close type, Type LM, Asian standard, Plastic cage (SAMICK)



Technical specification

DIMENSIONS, MM

d	80,000
D	120,000
B	140,000
D1	116,000
B2	105,500
B3	4,120

WEIGHT, KG 4,100

MANUFACTURER [SAMICK](http://www.samick.com)