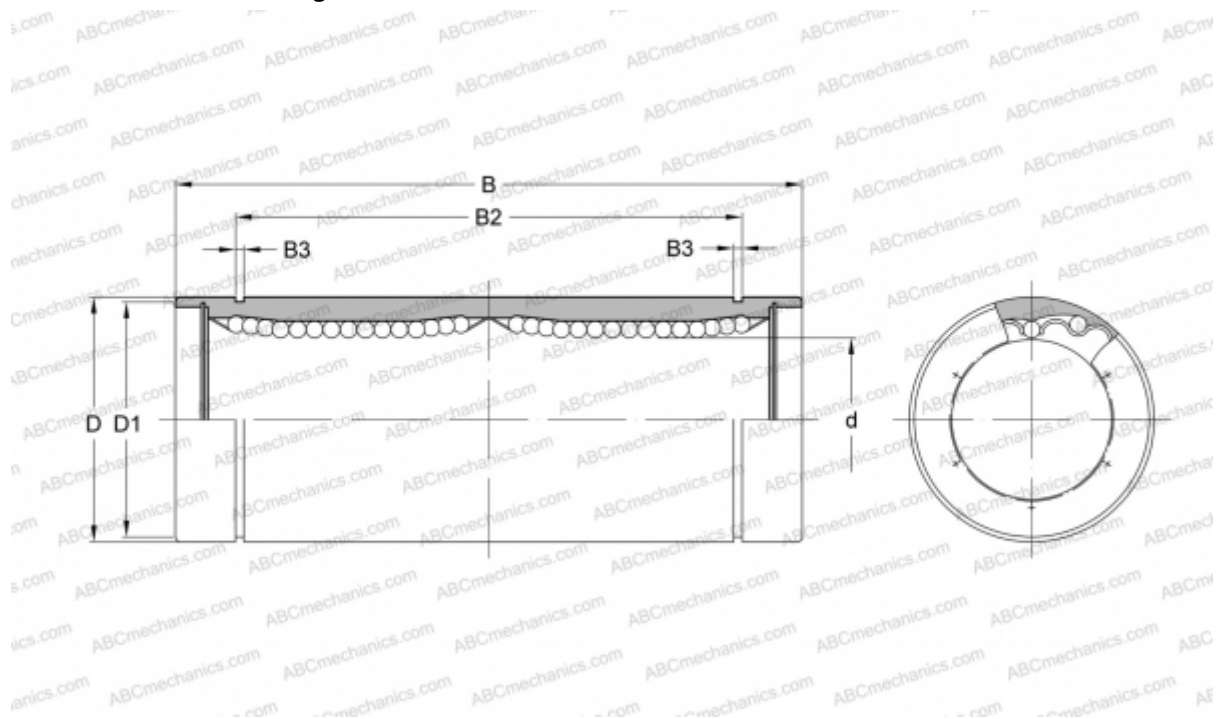


## LME30L UU SAMICK

Linear bushing

TYPE: Shaft guidance systems, Linear bushing, Standard, Close type, double length, Type LME..L, European standard, Plastic cage (SAMICK)



### Technical specification

#### DIMENSIONS, MM

d	30,000
D	47,000
B	123,000
D1	44,500
B2	104,200
B3	1,850

**WEIGHT, KG** 0,580

**MANUFACTURER** [SAMICK](http://www.samick.com)