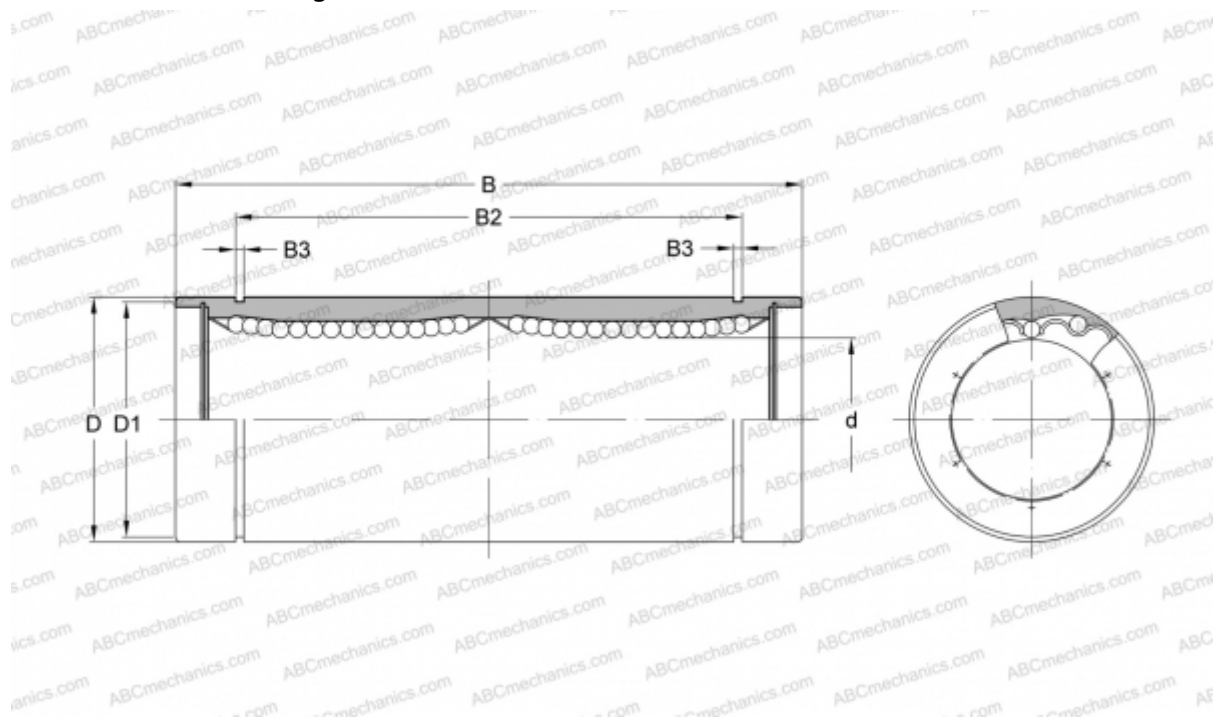


LME40L UU SAMICK

Linear bushing

TYPE: Shaft guidance systems, Linear bushing, Standard, Close type, double length, Type LME..L, European standard, Plastic cage (SAMICK)



Technical specification

DIMENSIONS, MM

d	40,000
D	62,000
B	154,000
D1	59,000
B2	121,200
B3	2,150

WEIGHT, KG 1,170

MANUFACTURER [SAMICK](http://www.samick.com)