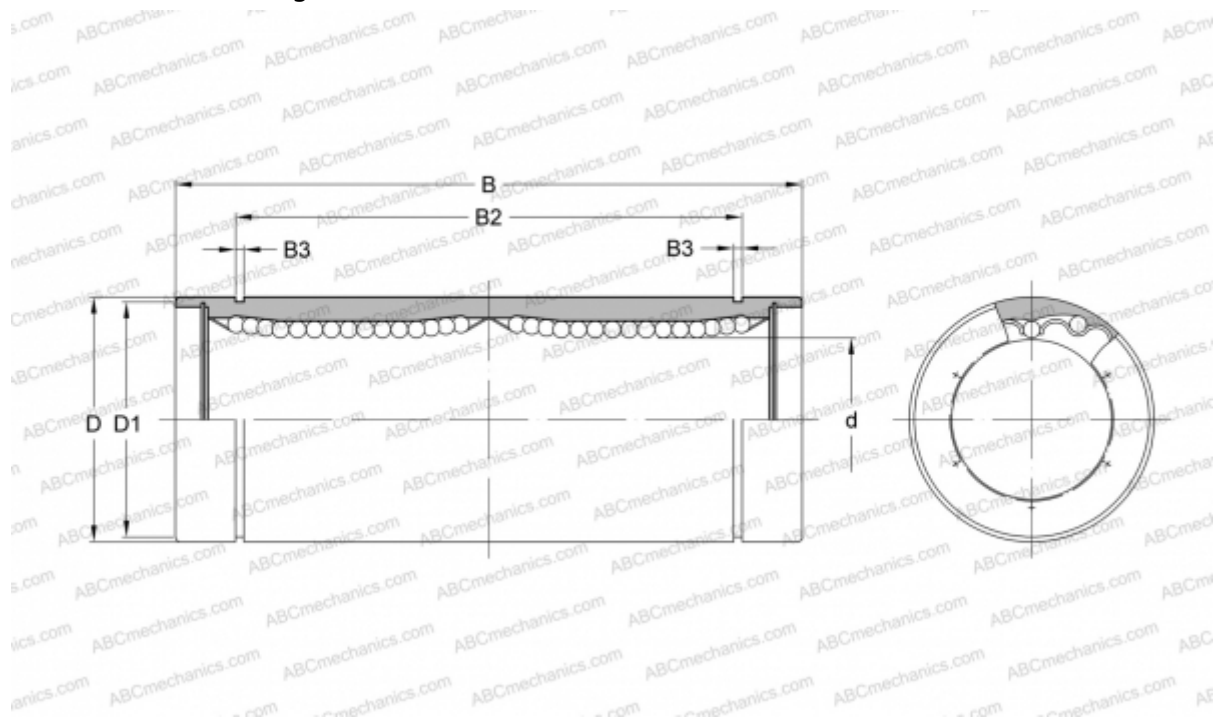


LME16L UU A SAMICK

Linear bushing

TYPE: Shaft guidance systems, Linear bushing, Standard, Close type, double length, Type LME..L, European standard, Steel cage (SAMICK)



Technical specification

DIMENSIONS, MM

| | |
|----|--------|
| d | 16,000 |
| D | 26,000 |
| B | 70,000 |
| D1 | 24,900 |
| B2 | 49,800 |
| B3 | 1,300 |

WEIGHT, KG 0,145

MANUFACTURER [SAMICK](http://www.samick.com)