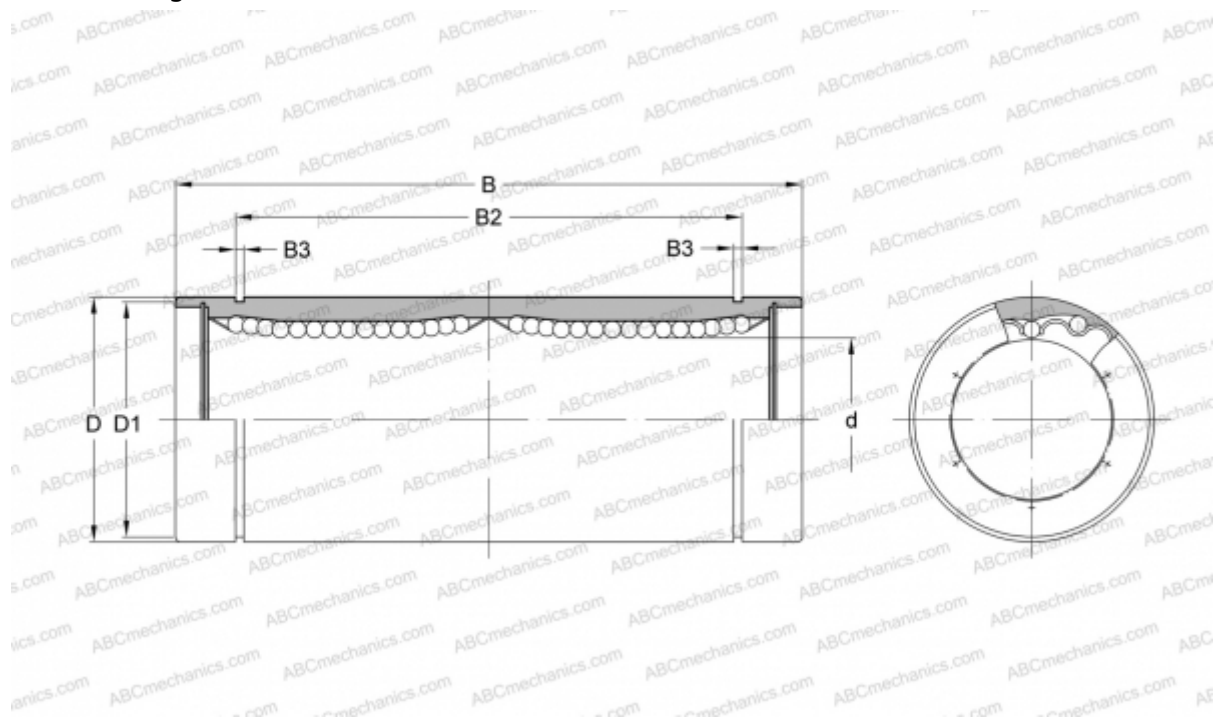


LM12L UU SAMICK

Linear bushing

TYPE: Shaft guidance systems, Linear bushing, Standard, Close type, double length, Type LM..L, Asian standard, Plastic cage (SAMICK)



Technical specification

DIMENSIONS, MM

d	12,000
D	21,000
B	57,000
D1	20,000
B2	46,000
B3	1,300

WEIGHT, KG 0,080

MANUFACTURER [SAMICK](#)