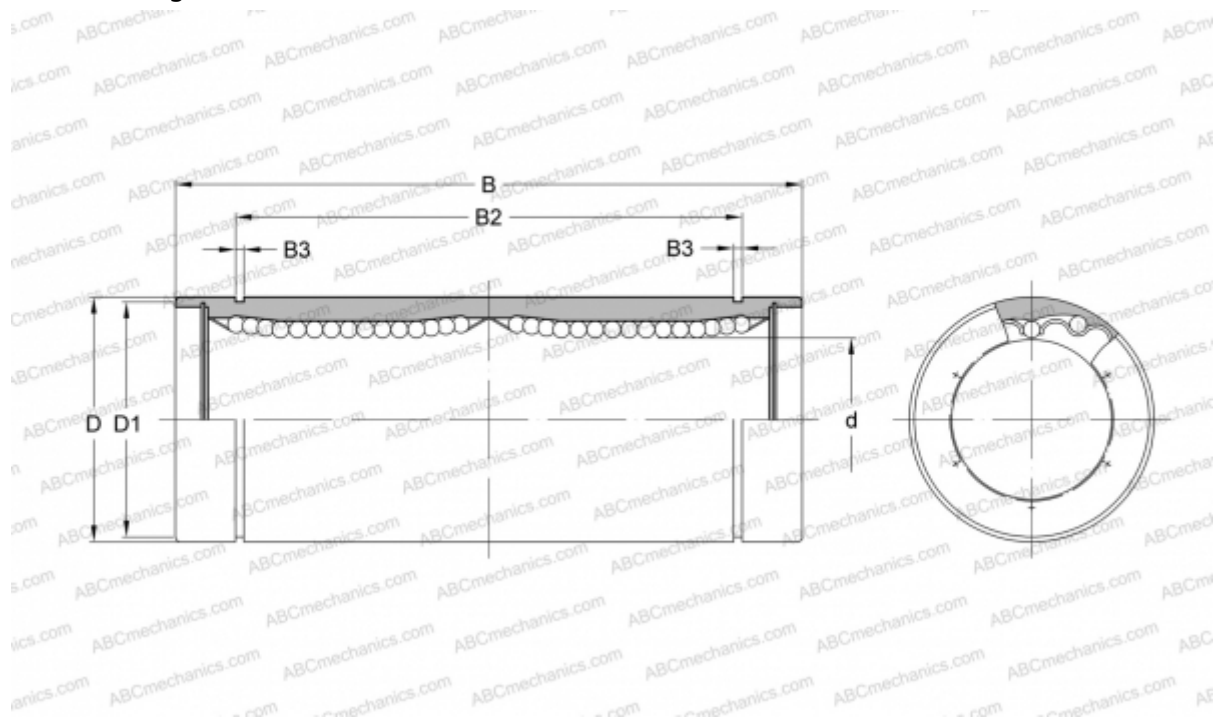


## LM40L UU SAMICK

Linear bushing

TYPE: Shaft guidance systems, Linear bushing, Standard, Close type, double length, Type LM..L, Asian standard, Plastic cage (SAMICK)



### Technical specification

#### DIMENSIONS, MM

d	40,000
D	60,000
B	154,000
D1	57,000
B2	121,000
B3	2,100

**WEIGHT, KG** 1,170

**MANUFACTURER** [SAMICK](http://www.samick.com)