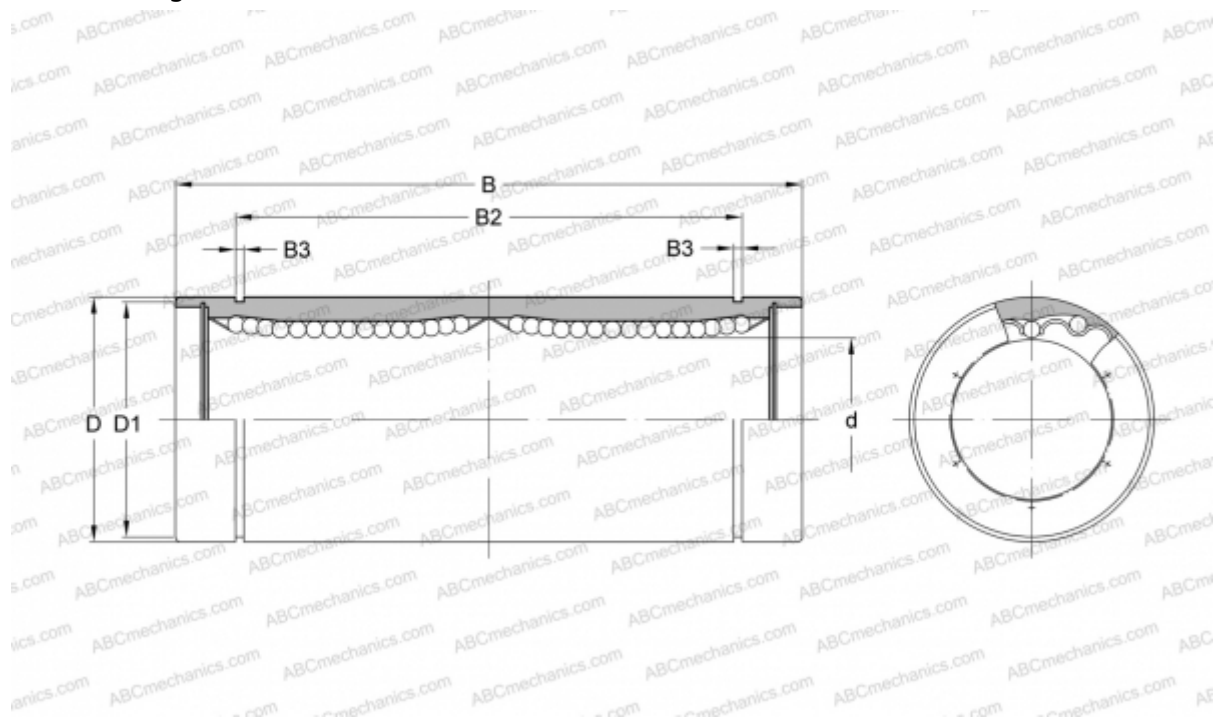


LM50L UU SAMICK

Linear bushing

TYPE: Shaft guidance systems, Linear bushing, Standard, Close type, double length, Type LM..L, Asian standard, Plastic cage (SAMICK)



Technical specification

DIMENSIONS, MM

d	50,000
D	80,000
B	192,000
D1	76,500
B2	148,000
B3	2,600

WEIGHT, KG 3,100

MANUFACTURER [SAMICK](http://www.samick.com)