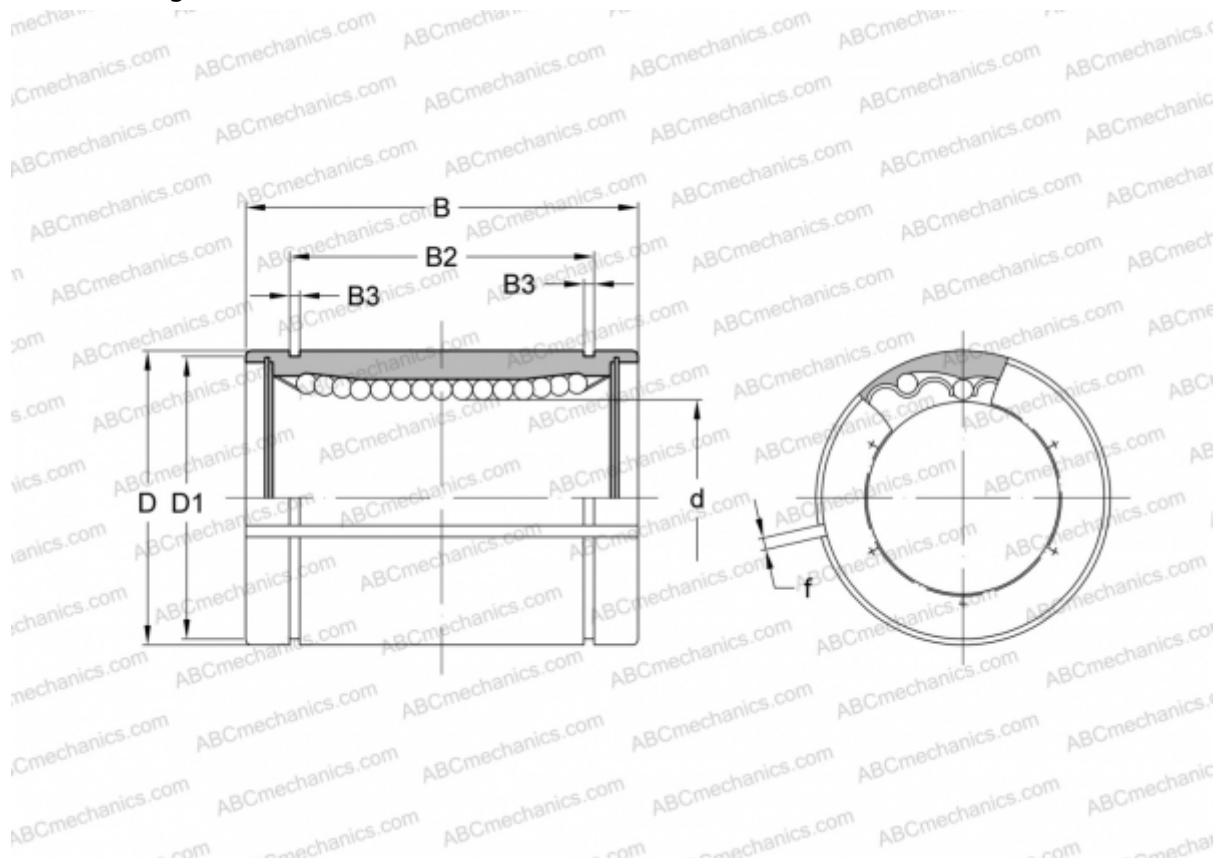


## LME25 UU AJ SAMICK

Linear bushing

TYPE: Shaft guidance systems, Linear bushing, Standard, Adjustable type, Type LME..AJ, European standard, Plastic cage (SAMICK)



### Technical specification

#### DIMENSIONS, MM

|    |        |
|----|--------|
| d  | 25,000 |
| D  | 40,000 |
| B  | 58,000 |
| D1 | 37,500 |
| B2 | 44,100 |
| B3 | 1,850  |
| f  | 2,000  |

**WEIGHT, KG** 0,215

**MANUFACTURER** [SAMICK](http://www.samick.com)