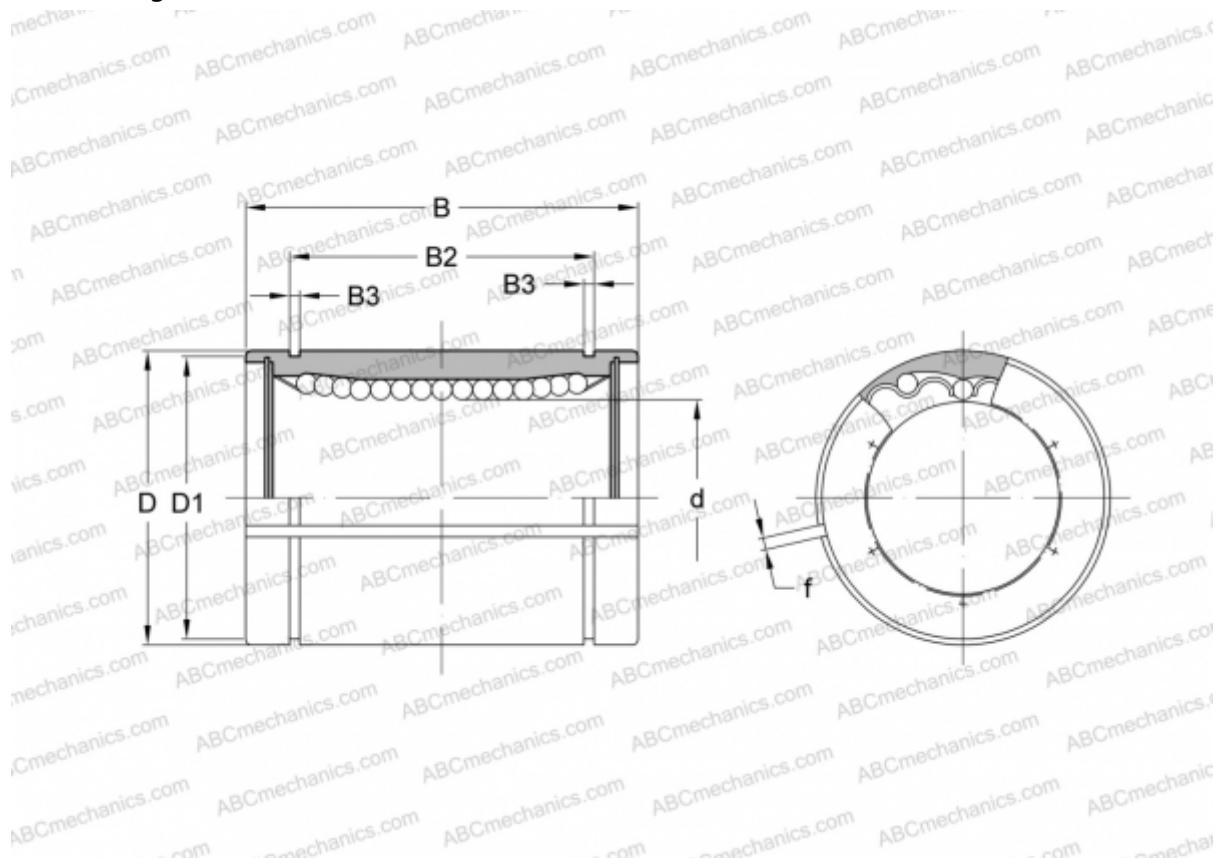


## LME16 UU AJ A SAMICK

Linear bushing

TYPE: Shaft guidance systems, Linear bushing, Standard, Adjustable type, Type LME..AJ, European standard, Steel cage (SAMICK)



### Technical specification

#### DIMENSIONS, MM

d	16,000
D	26,000
B	36,000
D1	24,900
B2	24,900
B3	1,300
f	1,500

**WEIGHT, KG** 0,057

**MANUFACTURER** [SAMICK](http://www.samick.com)