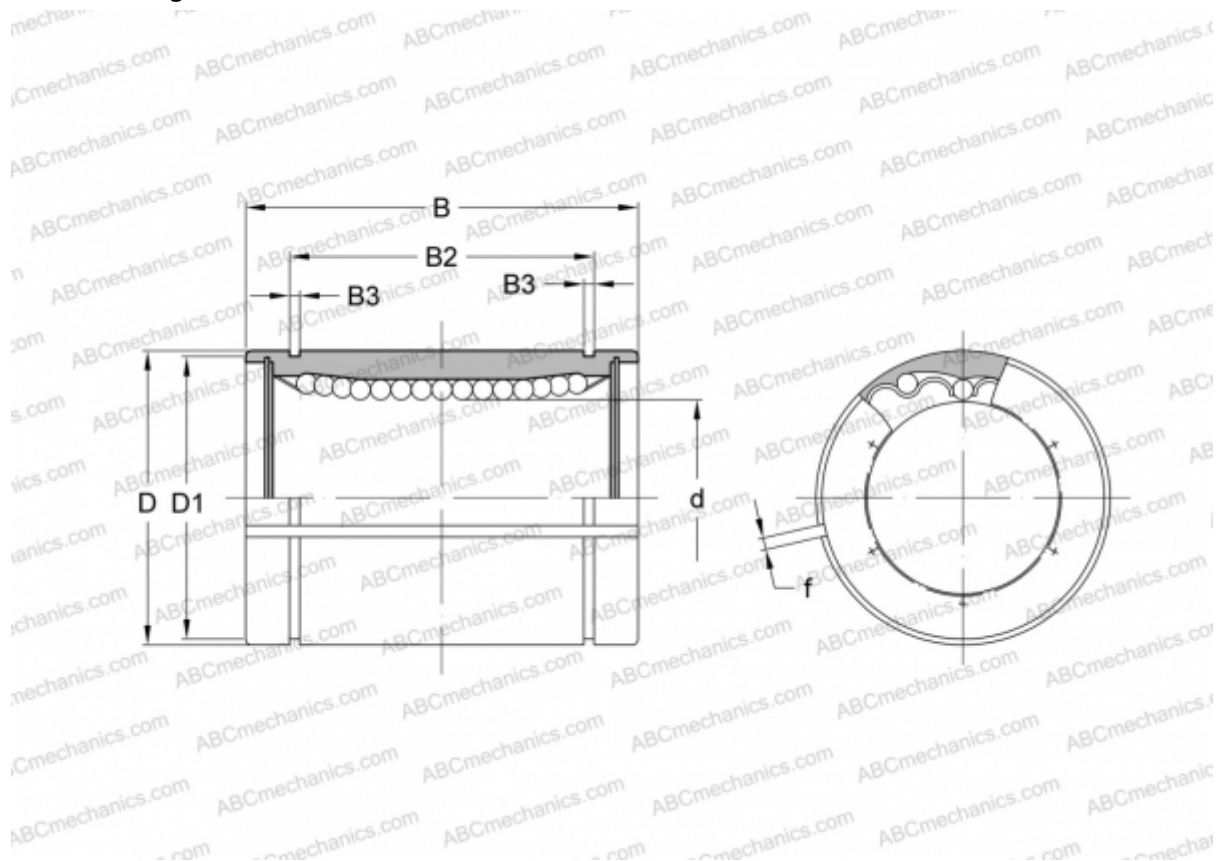


## LM8S UU AJ SAMICK

Linear bushing

TYPE: Shaft guidance systems, Linear bushing, Standard, Adjustable type, Type LM..AJ, Asian standard, Plastic cage (SAMICK)



### Technical specification

#### DIMENSIONS, MM

d	8,000
D	15,000
B	17,000
D1	14,300
B2	11,500
B3	1,100
f	1,000

**WEIGHT, KG** 0,011

**MANUFACTURER** [SAMICK](http://www.samick.com)