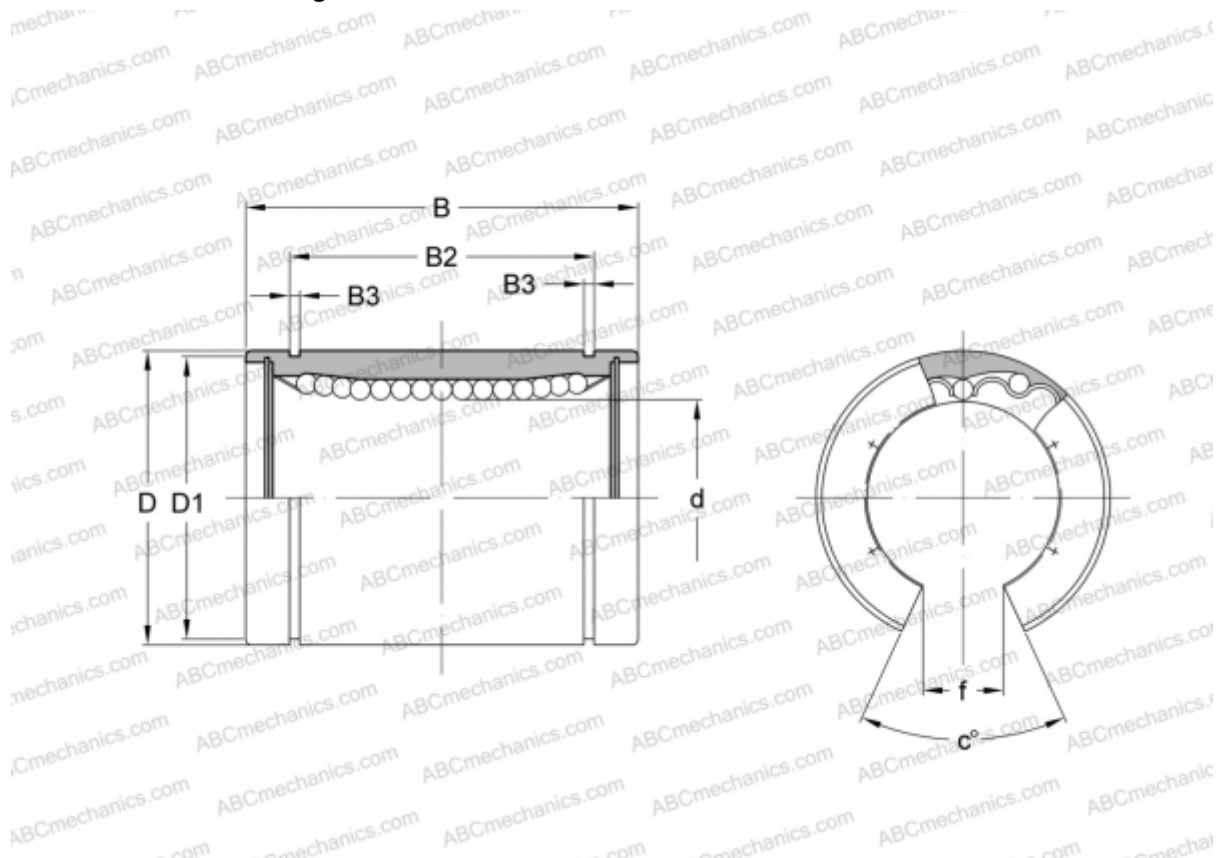


## LME25 UU OP SAMICK

Linear bushing

TYPE: Shaft guidance systems, Linear bushing, Standard, Open type for support rail, Type LME..OP, European standard, Plastic cage (SAMICK)



### Technical specification

#### DIMENSIONS, MM

d	25,000
D	40,000
B	58,000
D1	37,500
B2	44,100
B3	1,850
f	12,500
c	60

**WEIGHT, KG** 0,215

**MANUFACTURER** [SAMICK](#)