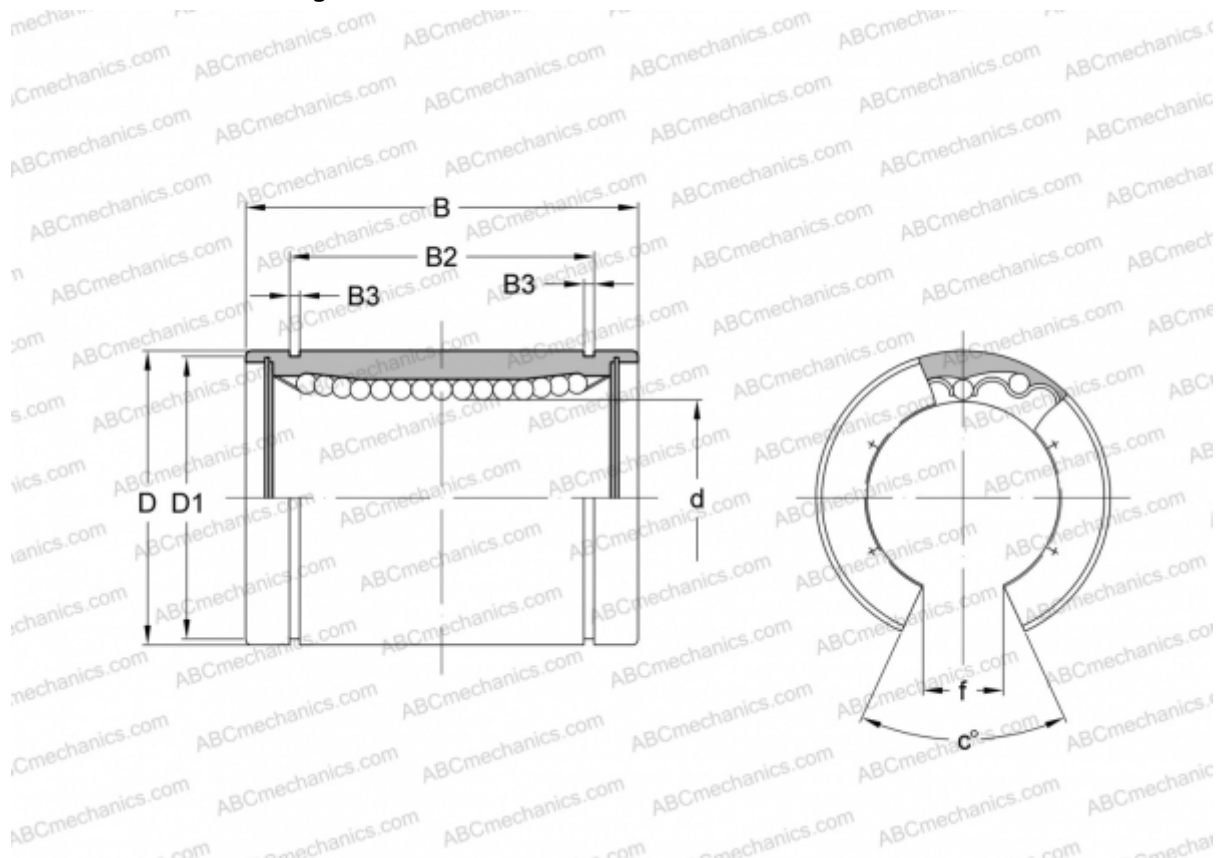


## LME60 UU OP SAMICK

Linear bushing

TYPE: Shaft guidance systems, Linear bushing, Standard, Open type for support rail, Type LME..OP, European standard, Plastic cage (SAMICK)



### Technical specification

#### DIMENSIONS, MM

d	60,000
D	90,000
B	125,000
D1	86,500
B2	101,700
B3	3,150
f	27,200
c	54

**WEIGHT, KG** 2,220

**MANUFACTURER** [SAMICK](http://www.samick.com)