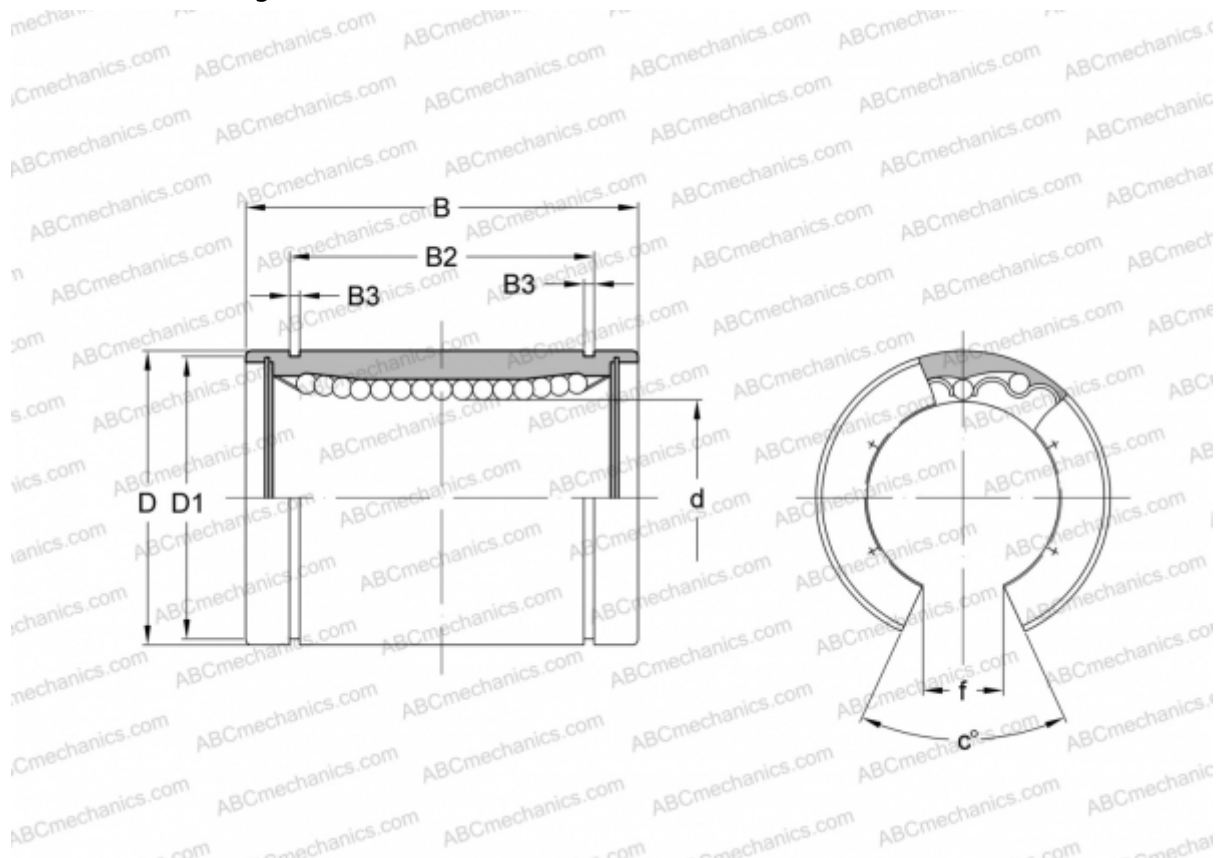


LM20 UU OP SAMICK

Linear bushing

TYPE: Shaft guidance systems, Linear bushing, Standard, Open type for support rail, Type LM..OP, Asian standard, Plastic cage (SAMICK)



Technical specification

DIMENSIONS, MM

d	20,000
D	32,000
B	42,000
B2	30,500
B3	1,600
c	60

WEIGHT, KG 0,087

MANUFACTURER [SAMICK](http://www.samick.com)