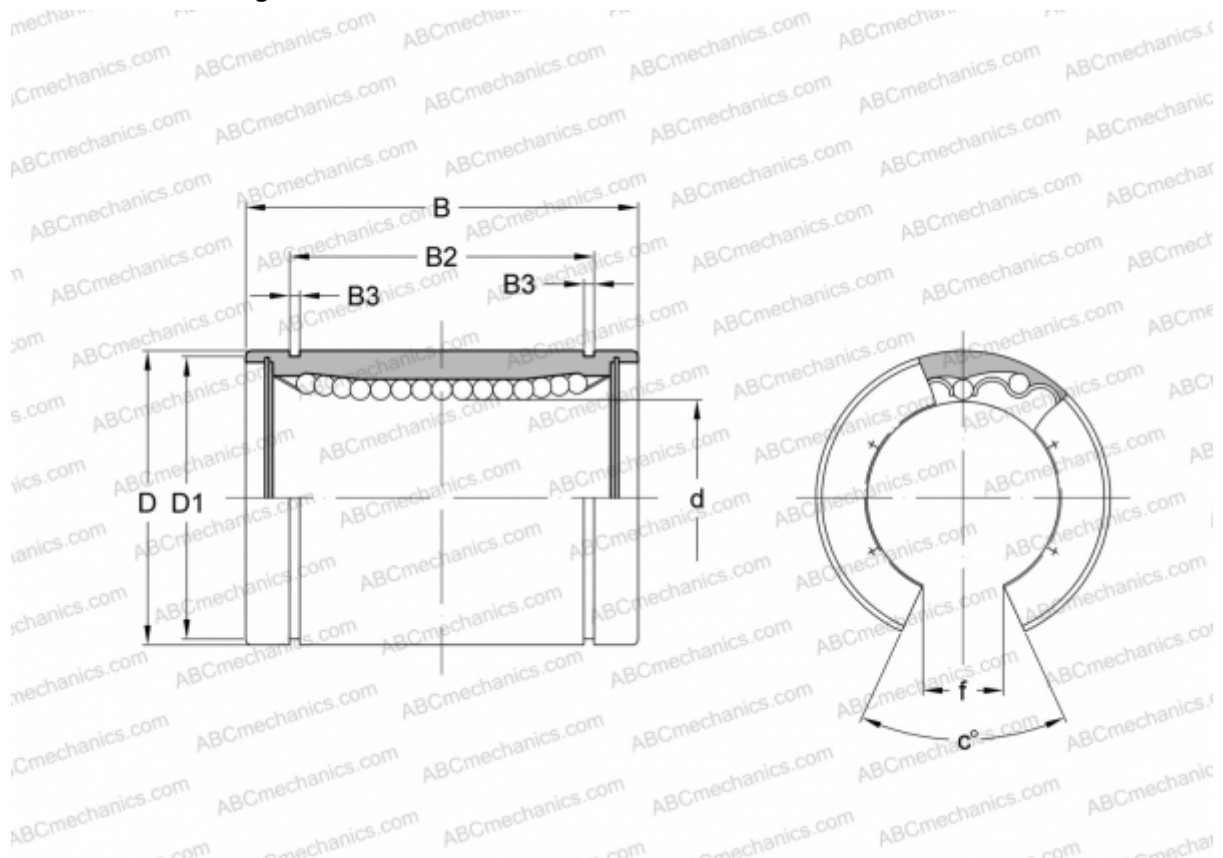


LM25 UU OP SAMICK

Linear bushing

TYPE: Shaft guidance systems, Linear bushing, Standard, Open type for support rail, Type LM..OP, Asian standard, Plastic cage (SAMICK)



Technical specification

DIMENSIONS, MM

d	25,000
D	40,000
B	59,000
B2	41,000
B3	1,850
c	50

WEIGHT, KG 0,220

MANUFACTURER [SAMICK](#)