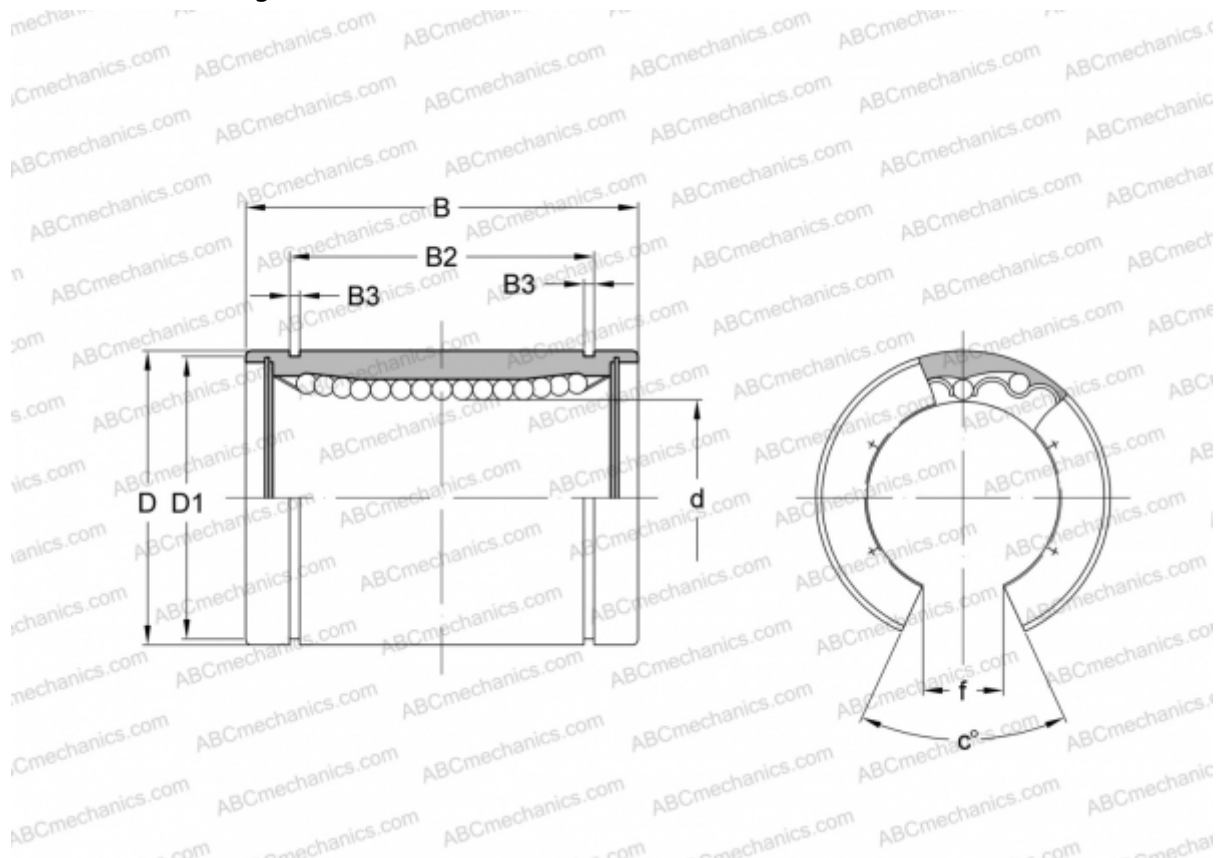


## LM60 UU OP SAMICK

Linear bushing

TYPE: Shaft guidance systems, Linear bushing, Standard, Open type for support rail, Type LM..OP, Asian standard, Plastic cage (SAMICK)



### Technical specification

#### DIMENSIONS, MM

d	60,000
D	90,000
B	110,000
B2	85,000
B3	3,150
c	50

**WEIGHT, KG** 2,000

**MANUFACTURER** [SAMICK](#)