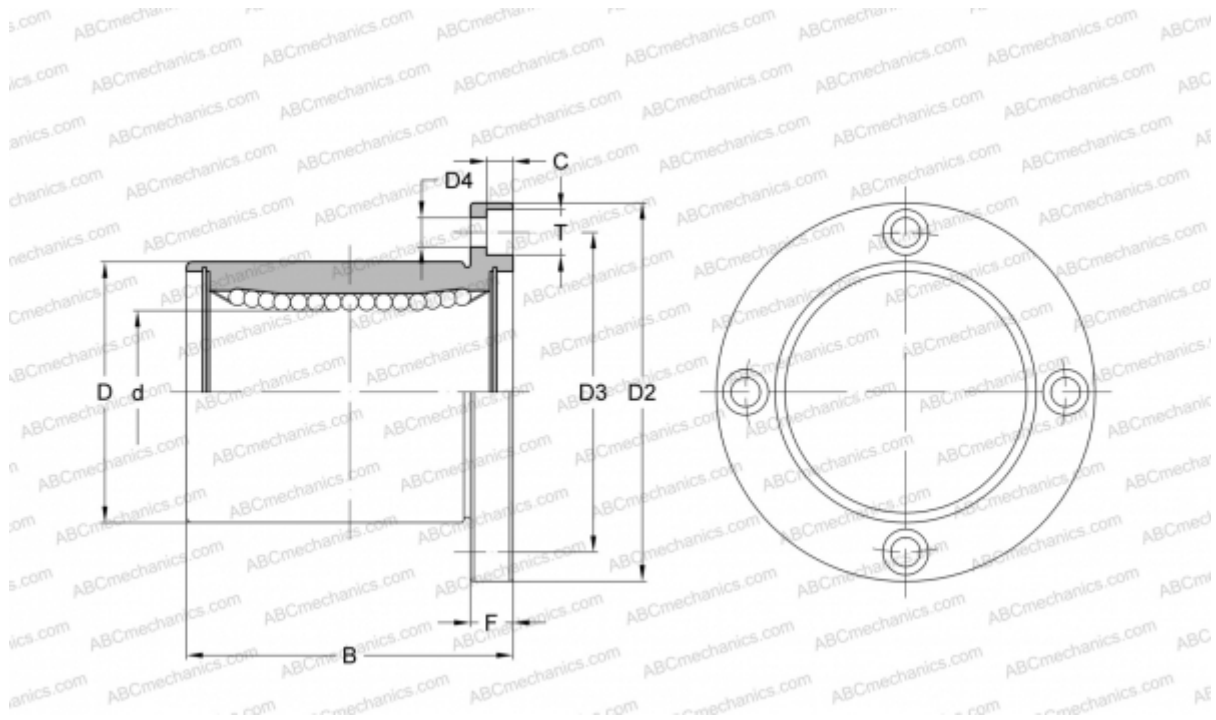


## LMEF16 UU SAMICK

Linear bushing

TYPE: Shaft guidance systems, Linear bushing, With flange, Circular type, Type LMEF, European standard, Plastic cage (SAMICK)



### Technical specification

#### DIMENSIONS, MM

|    |        |
|----|--------|
| d  | 16,000 |
| D  | 26,000 |
| B  | 36,000 |
| D2 | 46,000 |
| D3 | 36,000 |
| D4 | 4,500  |
| T  | 8,000  |
| C  | 4,400  |
| F  | 6      |

**WEIGHT, KG** 0,120

**MANUFACTURER** [SAMICK](#)