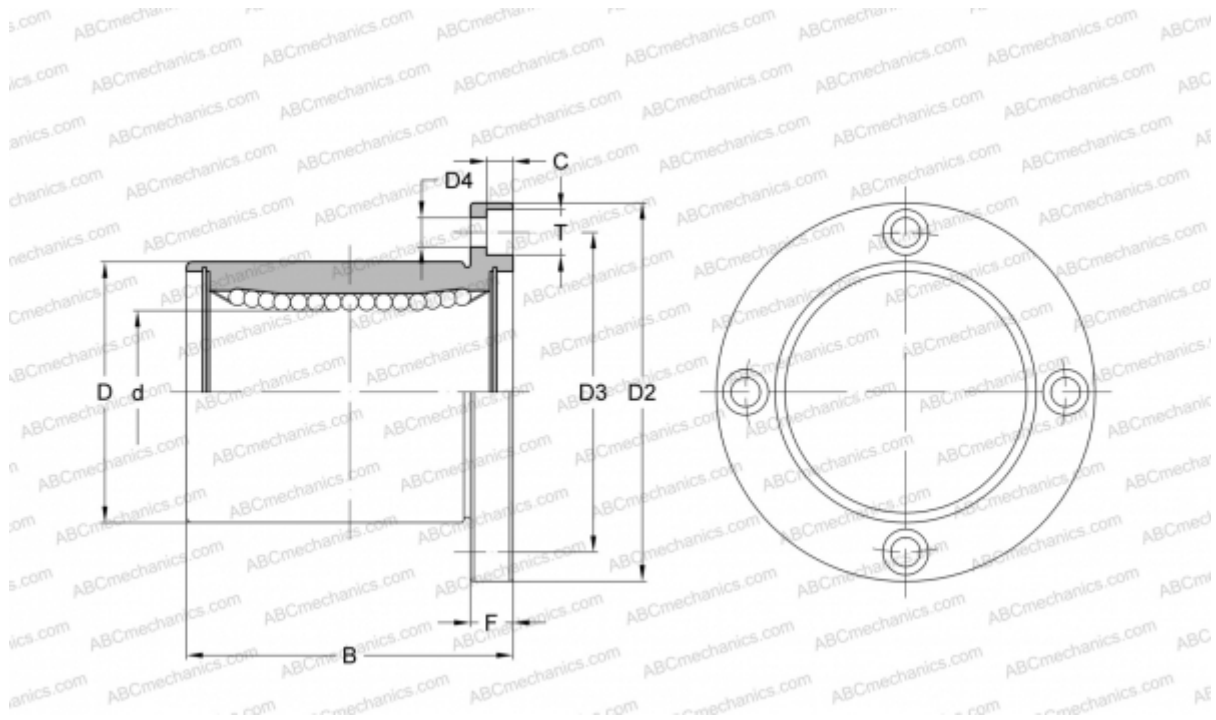


LMEF20 UU SAMICK

Linear bushing

TYPE: Shaft guidance systems, Linear bushing, With flange, Circular type, Type LMEF, European standard, Plastic cage (SAMICK)



Technical specification

DIMENSIONS, MM

| | |
|----|--------|
| d | 20,000 |
| D | 32,000 |
| B | 45,000 |
| D2 | 54,000 |
| D3 | 43,000 |
| D4 | 5,500 |
| T | 9,500 |
| C | 5,400 |
| F | 8 |

WEIGHT, KG 0,184

MANUFACTURER [SAMICK](http://www.samick.com)