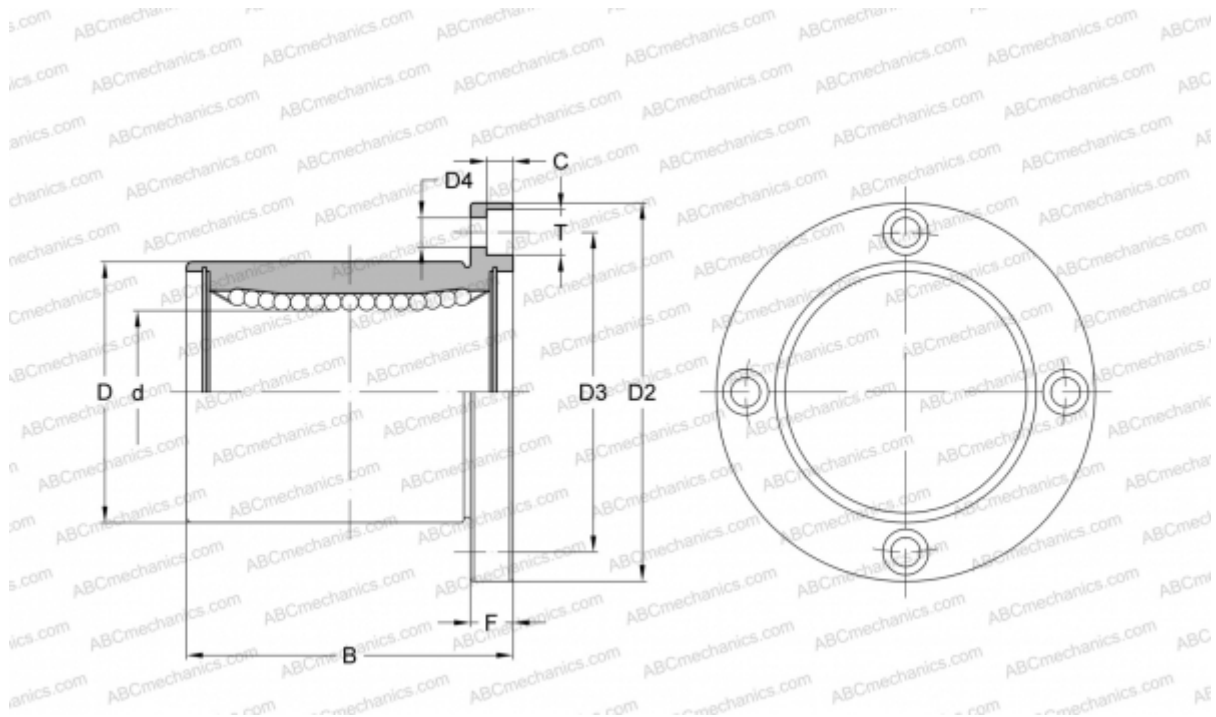


LMEF30 UU SAMICK

Linear bushing

TYPE: Shaft guidance systems, Linear bushing, With flange, Circular type, Type LMEF, European standard, Plastic cage (SAMICK)



Technical specification

DIMENSIONS, MM

d	30,000
D	47,000
B	68,000
D2	76,000
D3	62,000
D4	6,600
T	11,000
C	6,500
F	10

WEIGHT, KG 0,545

MANUFACTURER [SAMICK](http://www.samick.com)