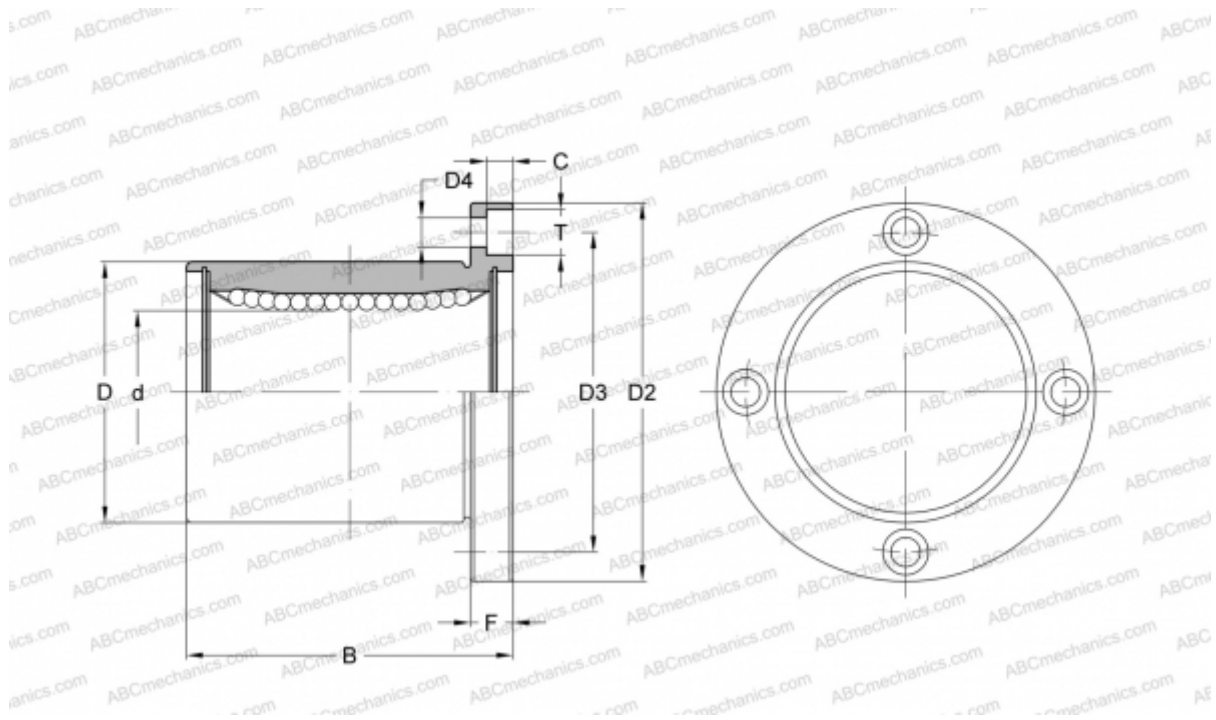


LMF60 UU SAMICK

Linear bushing

TYPE: Shaft guidance systems, Linear bushing, With flange, Circular type, Type LMF, Asian standard, Plastic cage (SAMICK)



Technical specification

DIMENSIONS, MM

d	60,000
D	90,000
B	110,000
D2	134,000
D3	112,000
D4	11,000
T	17,500
C	10,800
F	18

WEIGHT, KG 2,960

MANUFACTURER [SAMICK](http://www.samick.com)