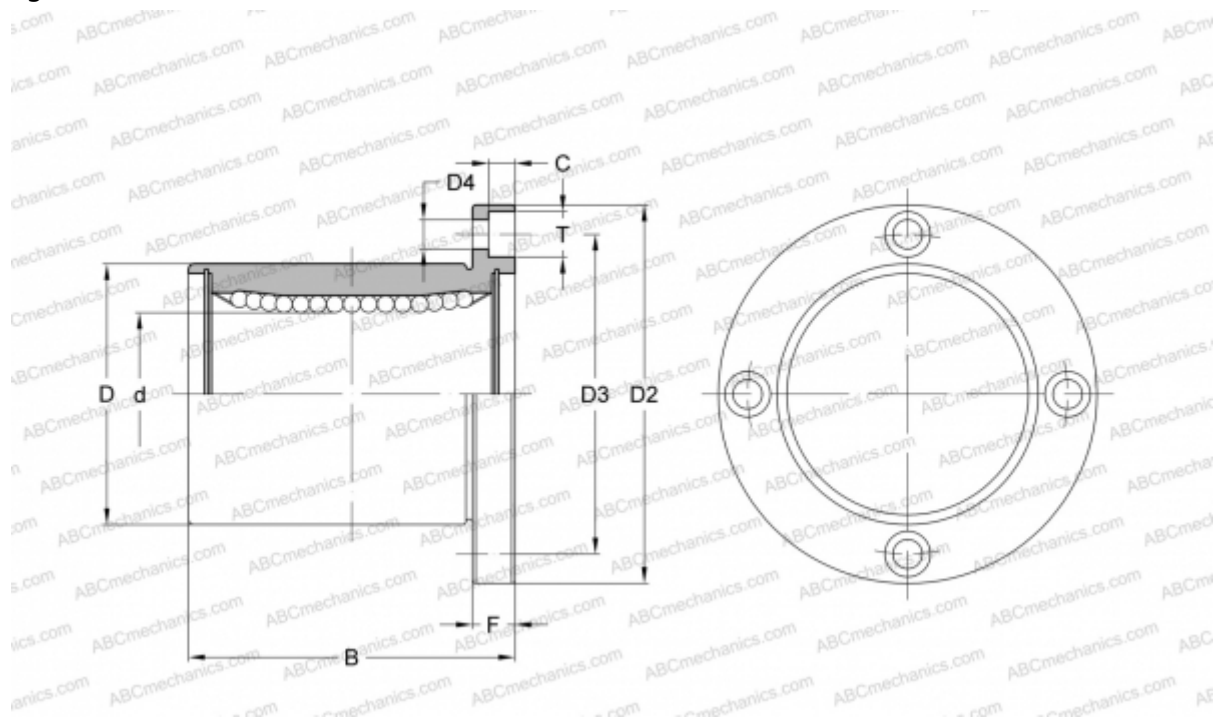


LMF80 UU SAMICK

Linear bushing

TYPE: Shaft guidance systems, Linear bushing, With flange, Circular type, Type LMF, Asian standard, Plastic cage (SAMICK)



Technical specification

DIMENSIONS, MM

d	80,000
D	120,000
B	140,000
D2	164,000
D3	142,000
D4	11,000
T	17,500
C	11,100
F	18

WEIGHT, KG 5,400

MANUFACTURER [SAMICK](#)