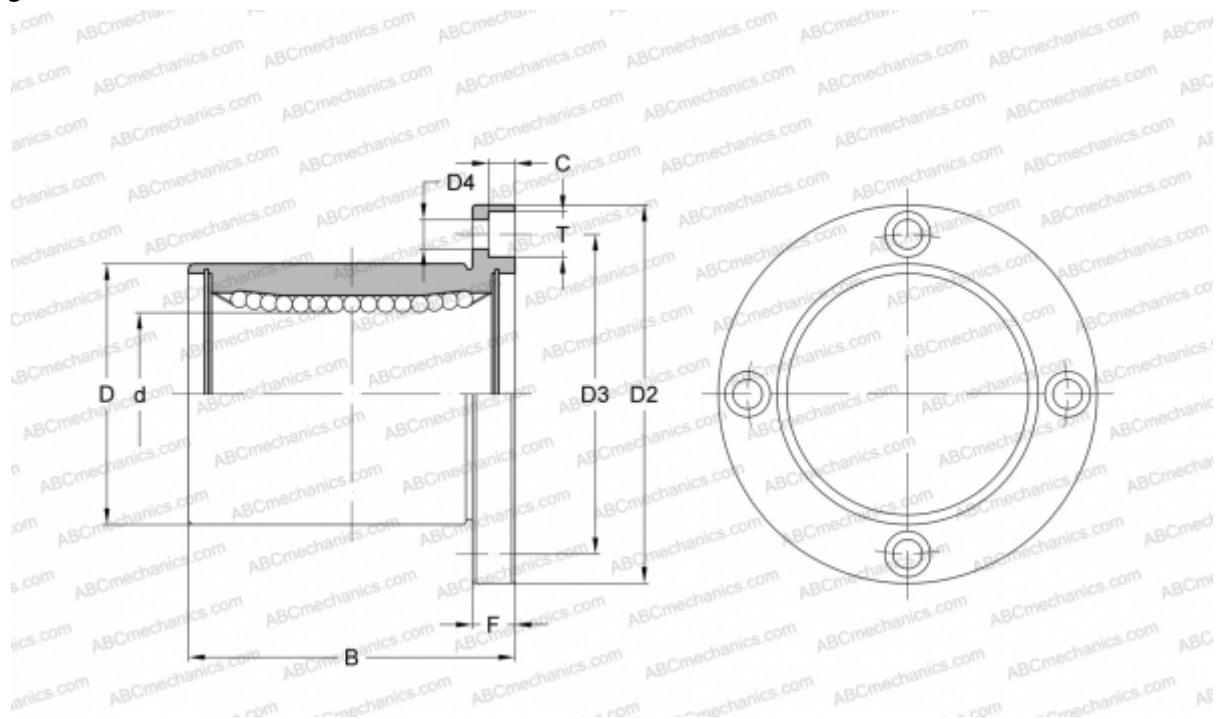


LMF10 UU A SAMICK

Linear bushing

TYPE: Shaft guidance systems, Linear bushing, With flange, Circular type, Type LMF, Asian standard, Steel cage (SAMICK)



Technical specification

DIMENSIONS, MM

d	10,000
D	19,000
B	29,000
D2	40,000
D3	29,000
D4	4,500
T	8,000
C	4,400
F	6

WEIGHT, KG 0,078

MANUFACTURER [SAMICK](http://www.samick.com)