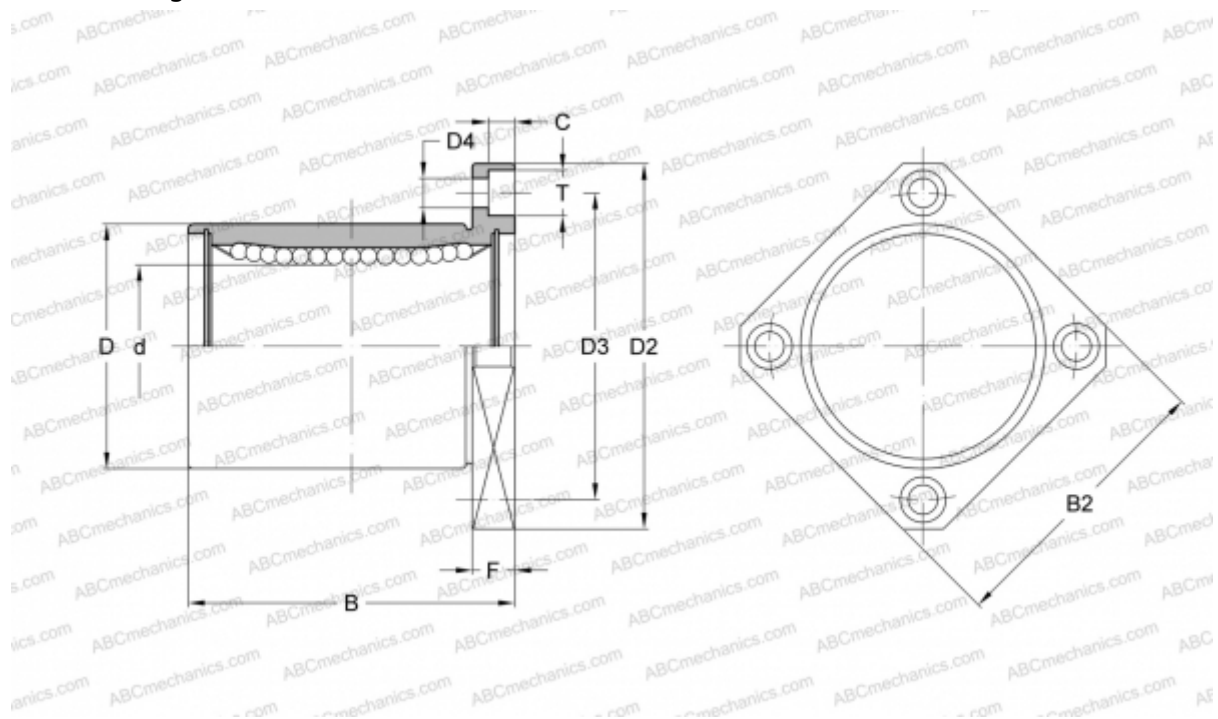


LMEK50 UU SAMICK

Linear bushing

TYPE: Shaft guidance systems, Linear bushing, With flange, Square type, Type LMEK, European standard, Plastic cage (SAMICK)



Technical specification

DIMENSIONS, MM

| | |
|----|---------|
| d | 50,000 |
| D | 75,000 |
| B | 100,000 |
| D2 | 112,000 |
| D3 | 94,000 |
| D4 | 9,000 |
| B2 | 88,000 |
| T | 14,000 |
| C | 8,600 |
| F | 13 |

WEIGHT, KG 1,730

MANUFACTURER [SAMICK](http://www.samick.com)