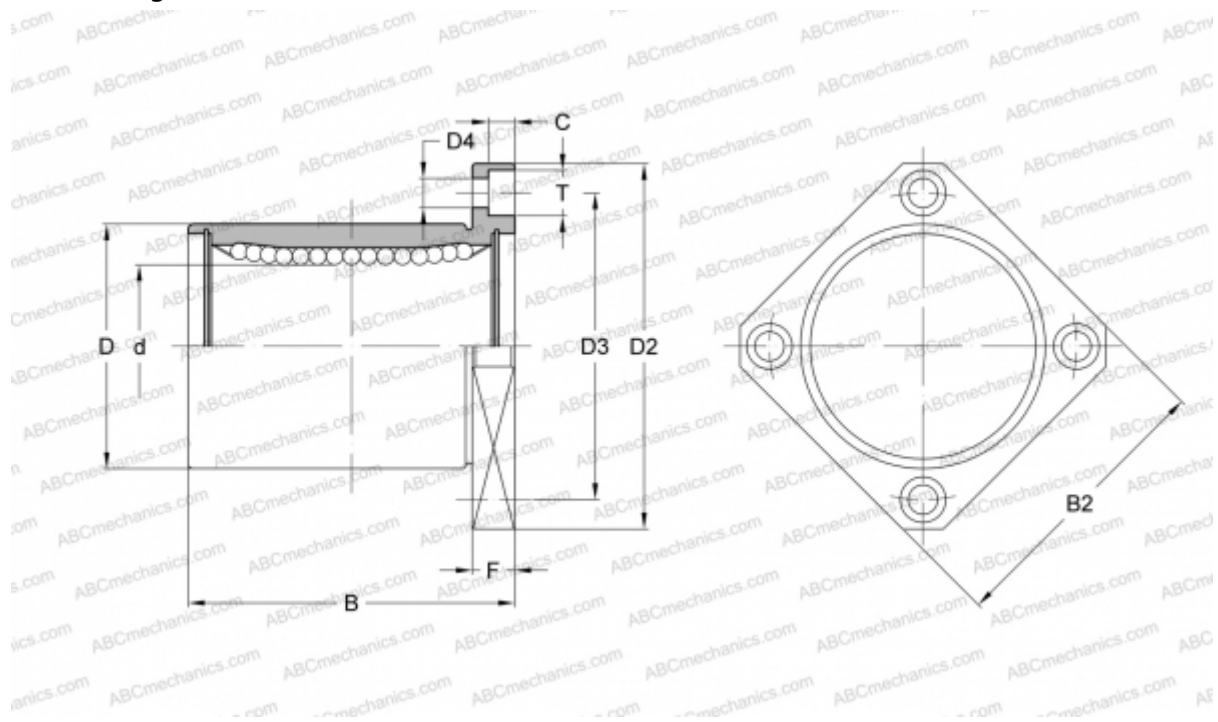


## LMEK12 UU A SAMICK

Linear bushing

TYPE: Shaft guidance systems, Linear bushing, With flange, Square type, Type LMEK, European standard, Steel cage (SAMICK)



### Technical specification

#### DIMENSIONS, MM

d	12,000
D	22,000
B	32,000
D2	42,000
D3	32,000
D4	4,500
B2	32,000
T	8,000
C	4,400
F	6

**WEIGHT, KG** 0,086

**MANUFACTURER** [SAMICK](http://www.samick.com)