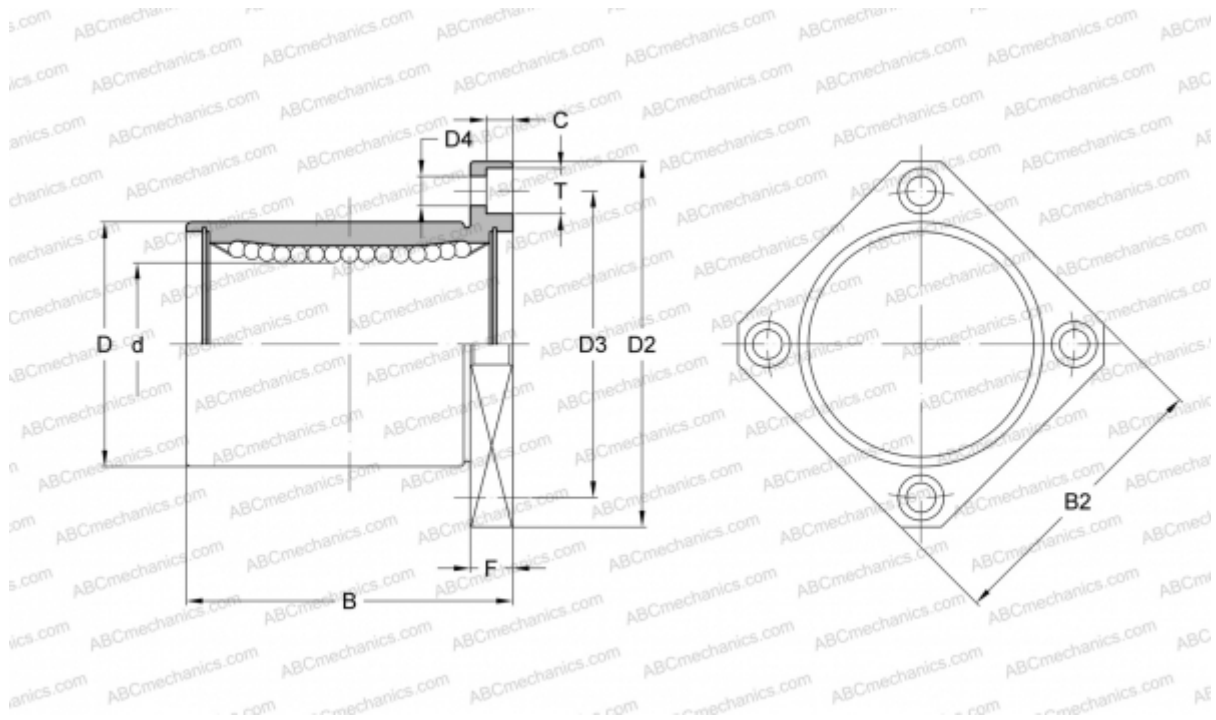


LMK8 UU SAMICK

Linear bushing

TYPE: Shaft guidance systems, Linear bushing, With flange, Square type, Type LMK, Asian standard, Plastic cage (SAMICK)



Technical specification

DIMENSIONS, MM

| | |
|----|--------|
| d | 8,000 |
| D | 15,000 |
| B | 24,000 |
| D2 | 32,000 |
| D3 | 24,000 |
| D4 | 3,400 |
| B2 | 25,000 |
| T | 6,500 |
| C | 3,300 |
| F | 5 |

WEIGHT, KG 0,040

MANUFACTURER [SAMICK](#)