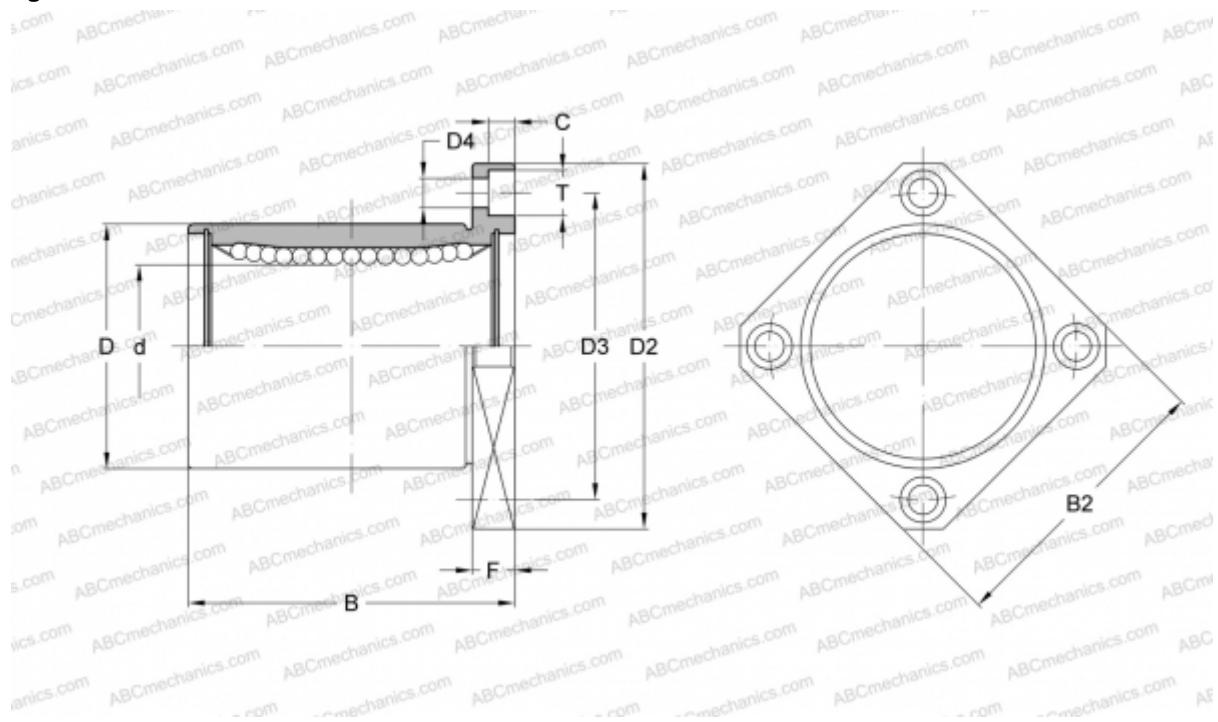


LMK30 UU SAMICK

Linear bushing

TYPE: Shaft guidance systems, Linear bushing, With flange, Square type, Type LMK, Asian standard, Plastic cage (SAMICK)



Technical specification

DIMENSIONS, MM

d	30,000
D	45,000
B	64,000
D2	74,000
D3	60,000
D4	6,600
B2	58,000
T	11,000
C	6,500
F	10

WEIGHT, KG 0,460

MANUFACTURER [SAMICK](http://www.samick.com)