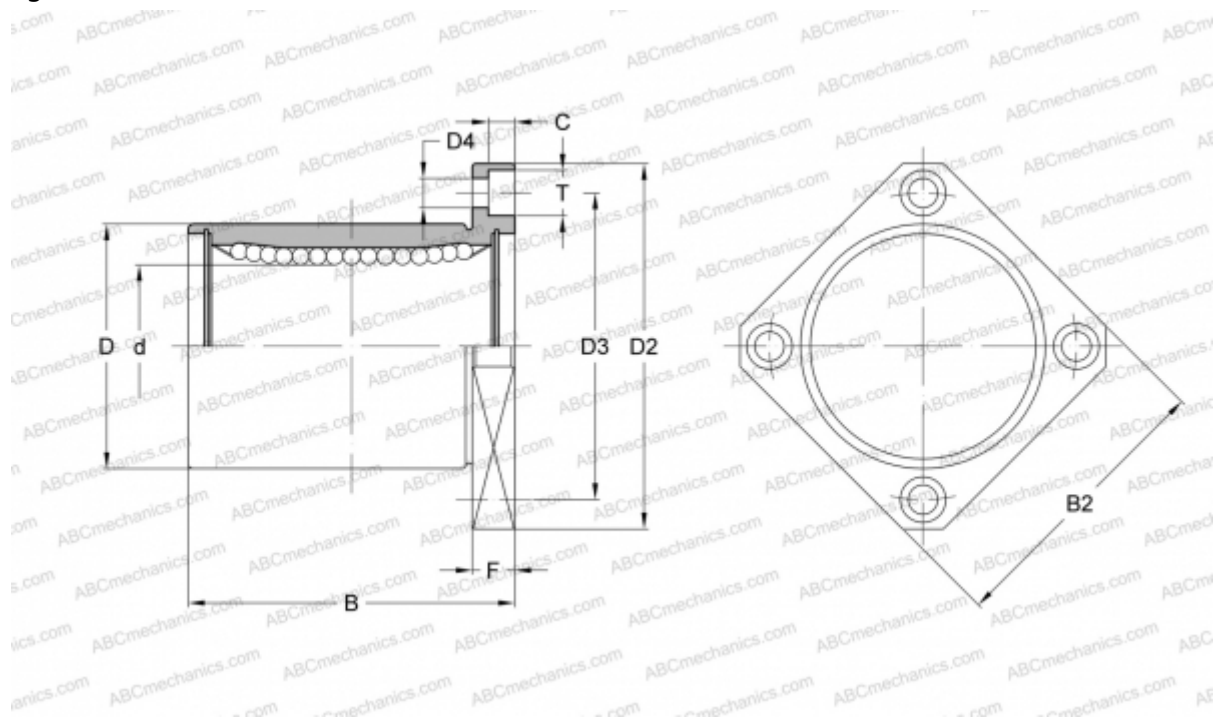


## LMK80 UU SAMICK

Linear bushing

TYPE: Shaft guidance systems, Linear bushing, With flange, Square type, Type LMK, Asian standard, Plastic cage (SAMICK)



### Technical specification

#### DIMENSIONS, MM

d	80,000
D	120,000
B	140,000
D2	164,000
D3	142,000
D4	11,000
B2	136,000
T	17,500
C	11,100
F	18

**WEIGHT, KG** 4,900

**MANUFACTURER** [SAMICK](#)