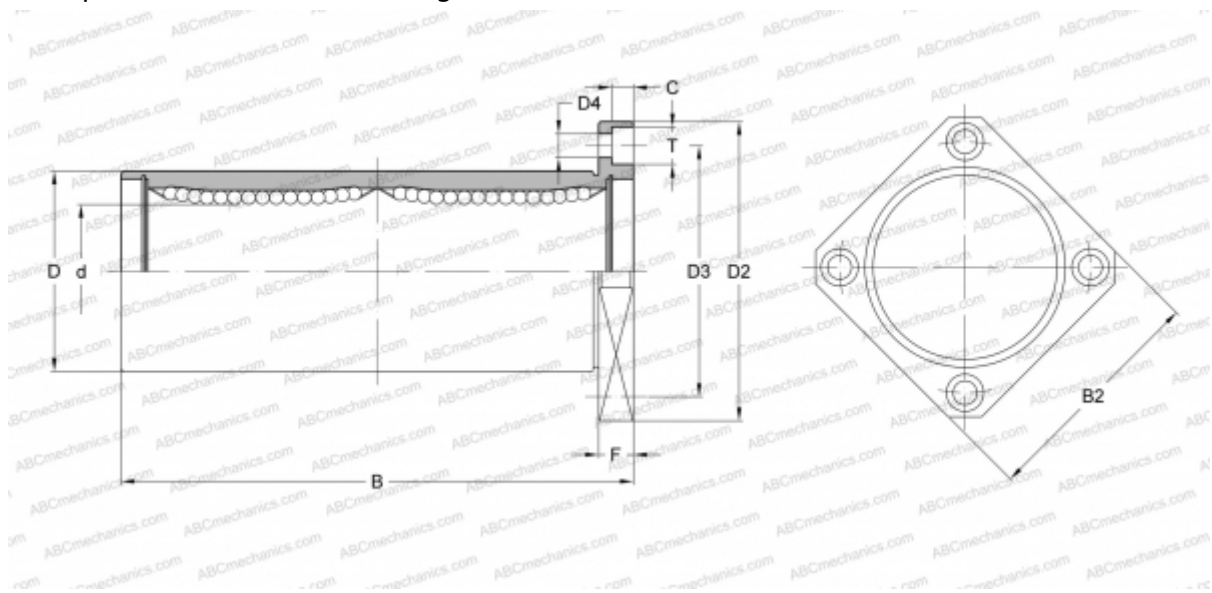


## LMEK50L UU SAMICK

Linear bushing

TYPE: Shaft guidance systems, Linear bushing, With flange, Square type, double length, Type LMEK..L, European standard, Plastic cage (SAMICK)



### Technical specification

#### DIMENSIONS, MM

d	50,000
D	75,000
B	192,000
D2	112,000
D3	94,000
D4	9,000
B2	88,000
T	14,000
C	8,600
F	13

**WEIGHT, KG** 3,500

**MANUFACTURER** [SAMICK](http://www.samick.com)