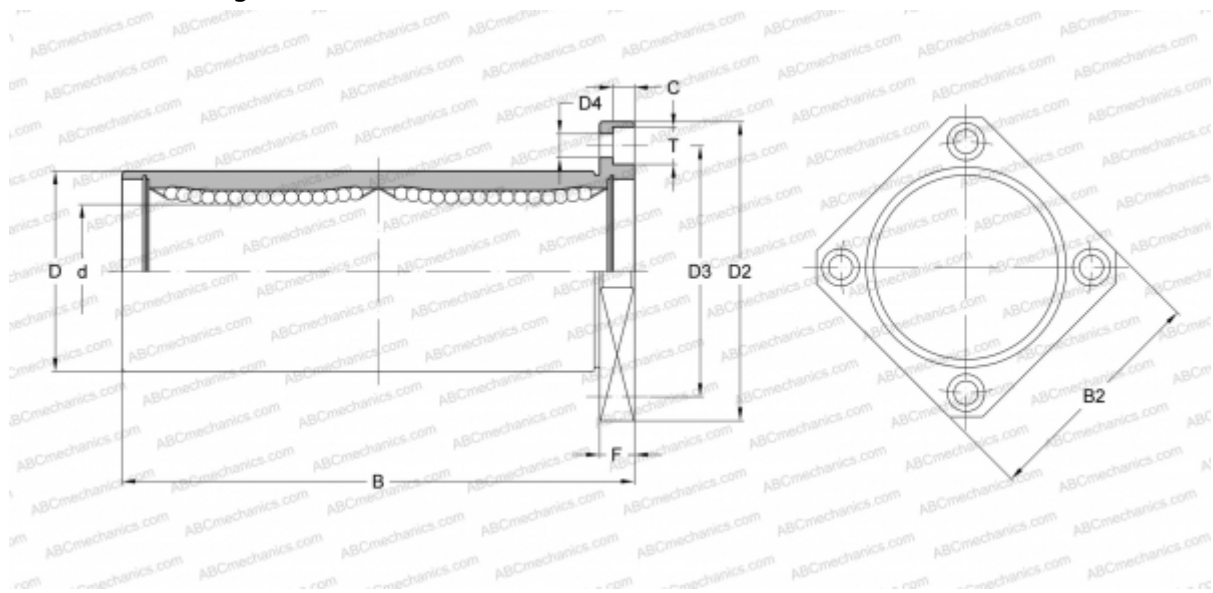


## LMK10L UU A SAMICK

Linear bushing

TYPE: Shaft guidance systems, Linear bushing, With flange, Square type, double length, Type LMK..L, Asian standard, Steel cage (SAMICK)



### Technical specification

#### DIMENSIONS, MM

d	10,000
D	19,000
B	55,000
D2	40,000
D3	29,000
D4	4,500
B2	30,000
T	8,000
C	4,400
F	6

**WEIGHT, KG** 0,105

**MANUFACTURER** [SAMICK](http://www.samick.com)