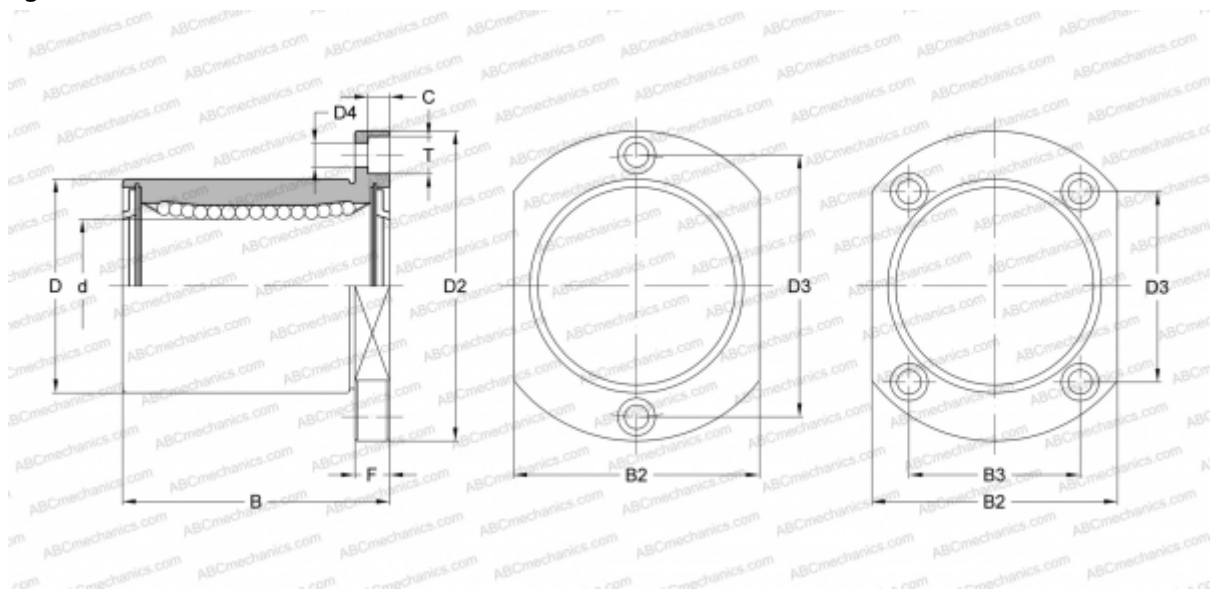


LMH16 UU SAMICK

Linear bushing

TYPE: Shaft guidance systems, Linear bushing, With flange, Oval type, Type LMH, Asian standard, Plastic cage (SAMICK)



Technical specification

DIMENSIONS, MM

d	16,000
D	28,000
B	37,000
D2	48,000
D3	31,000
D4	4,500
B2	34,000
B3	22,000
T	8,000
C	4,400
F	6

WEIGHT, KG 0,134

MANUFACTURER [SAMICK](#)