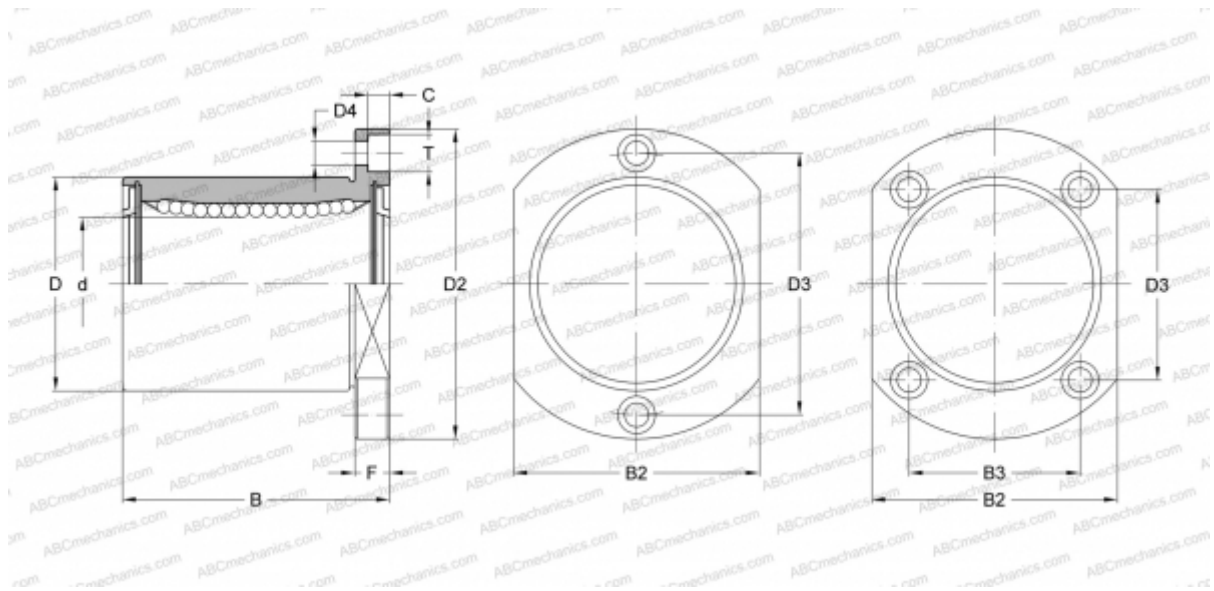


## LMH6 UU A SAMICK

Linear bushing

TYPE: Shaft guidance systems, Linear bushing, With flange, Oval type, Type LMH, Asian standard, Steel cage (SAMICK)



### Technical specification

#### DIMENSIONS, MM

|    |        |
|----|--------|
| d  | 6,000  |
| D  | 12,000 |
| B  | 19,000 |
| D2 | 28,000 |
| D3 | 20,000 |
| D4 | 3,400  |
| B2 | 18,000 |
| T  | 6,500  |
| C  | 3,300  |
| F  | 5      |

**WEIGHT, KG** 0,027

**MANUFACTURER** [SAMICK](http://www.samick.com)