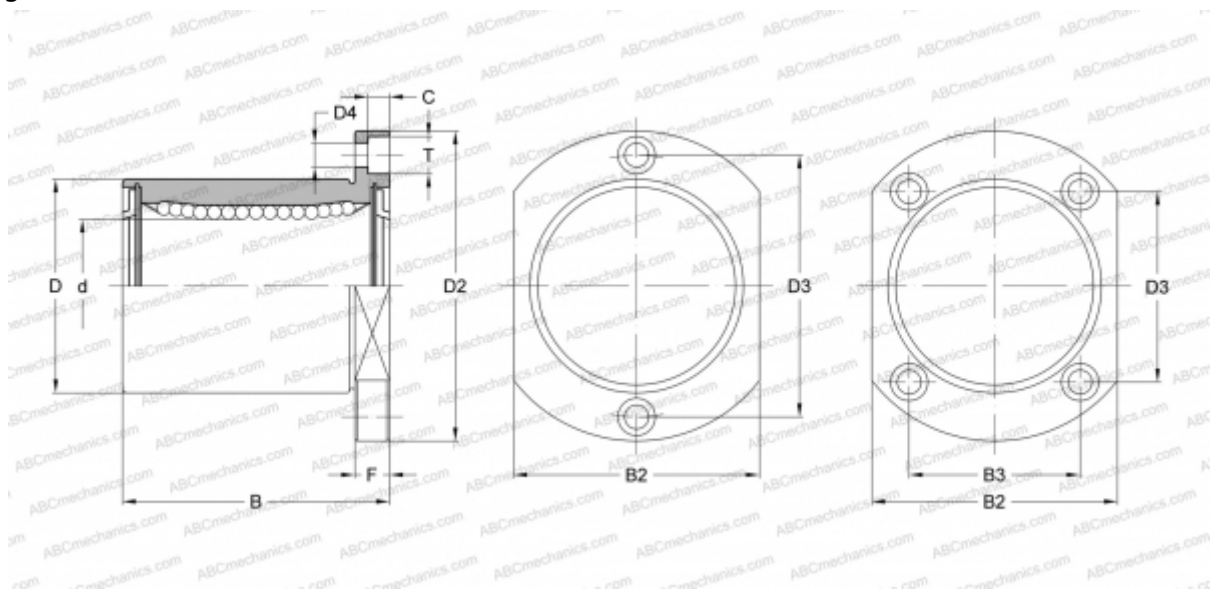


## LMH25 UU A SAMICK

Linear bushing

TYPE: Shaft guidance systems, Linear bushing, With flange, Oval type, Type LMH, Asian standard, Steel cage (SAMICK)



### Technical specification

#### DIMENSIONS, MM

d	25,000
D	40,000
B	59,000
D2	62,000
D3	40,000
D4	5,500
B2	46,000
B3	32,000
T	9,500
C	5,400
F	8

**WEIGHT, KG** 0,340

**MANUFACTURER** [SAMICK](#)