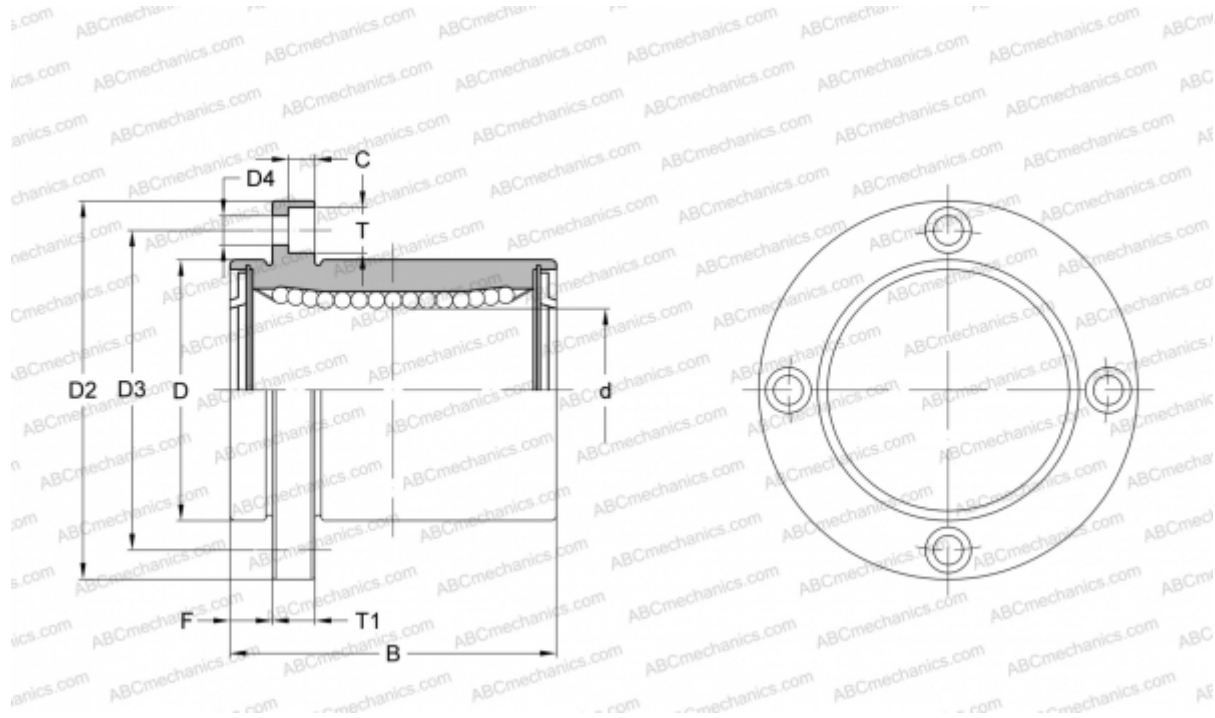


## LMEFP25 UU SAMICK

Linear bushing

TYPE: Shaft guidance systems, Linear bushing, Pilot flange location, Circular type, Type LMEFP, European standard, Plastic cage (SAMICK)



### Technical specification

#### DIMENSIONS, MM

d	25,000
D	40,000
B	58,000
D2	62,000
D3	51,000
D4	5,500
T	9,500
T1	8,000
C	5,400
F	8

**WEIGHT, KG** 0,335

**MANUFACTURER** [SAMICK](https://www.samick.com)