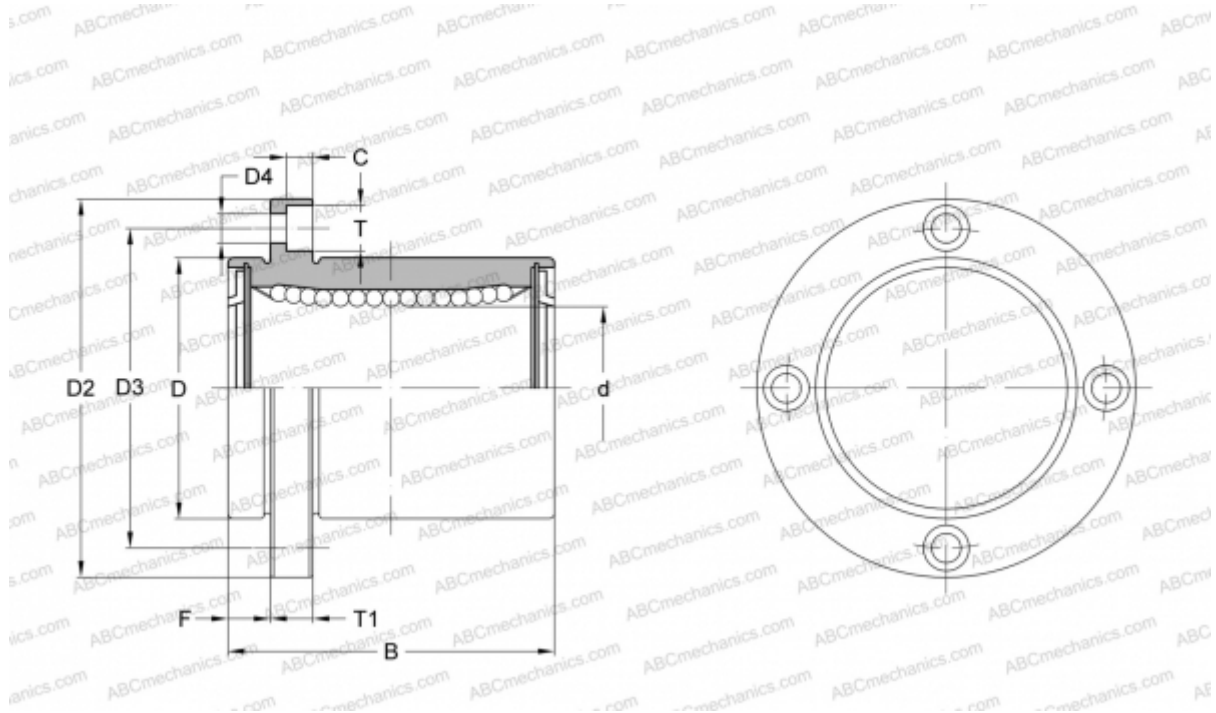


LMEFP60 UU SAMICK

Linear bushing

TYPE: Shaft guidance systems, Linear bushing, Pilot flange location, Circular type, Type LMEFP, European standard, Plastic cage (SAMICK)



Technical specification

DIMENSIONS, MM

| | |
|----|---------|
| d | 60,000 |
| D | 90,000 |
| B | 125,000 |
| D2 | 134,000 |
| D3 | 112,000 |
| D4 | 11,000 |
| T | 17,500 |
| T1 | 18,000 |
| C | 10,800 |
| F | 18 |

WEIGHT, KG 3,180

MANUFACTURER [SAMICK](http://www.samick.com)