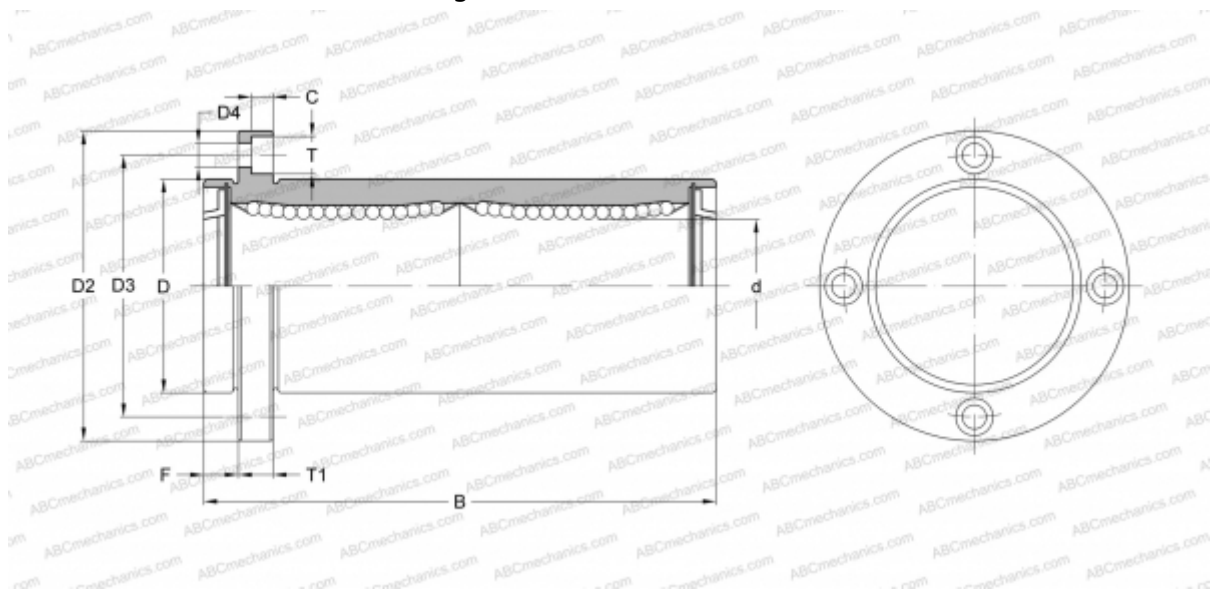


## LMFP40L UU SAMICK

Linear bushing

TYPE: Shaft guidance systems, Linear bushing, Pilot flange location, Circular type, double length, Type LMFP..L, Asian standard, Plastic cage (SAMICK)



### Technical specification

#### DIMENSIONS, MM

d	40,000
D	60,000
B	154,000
D2	96,000
D3	78,000
D4	9,000
T	14,000
T1	13,000
C	8,600
F	13

**WEIGHT, KG** 1,560

**MANUFACTURER** [SAMICK](http://www.samick.com)