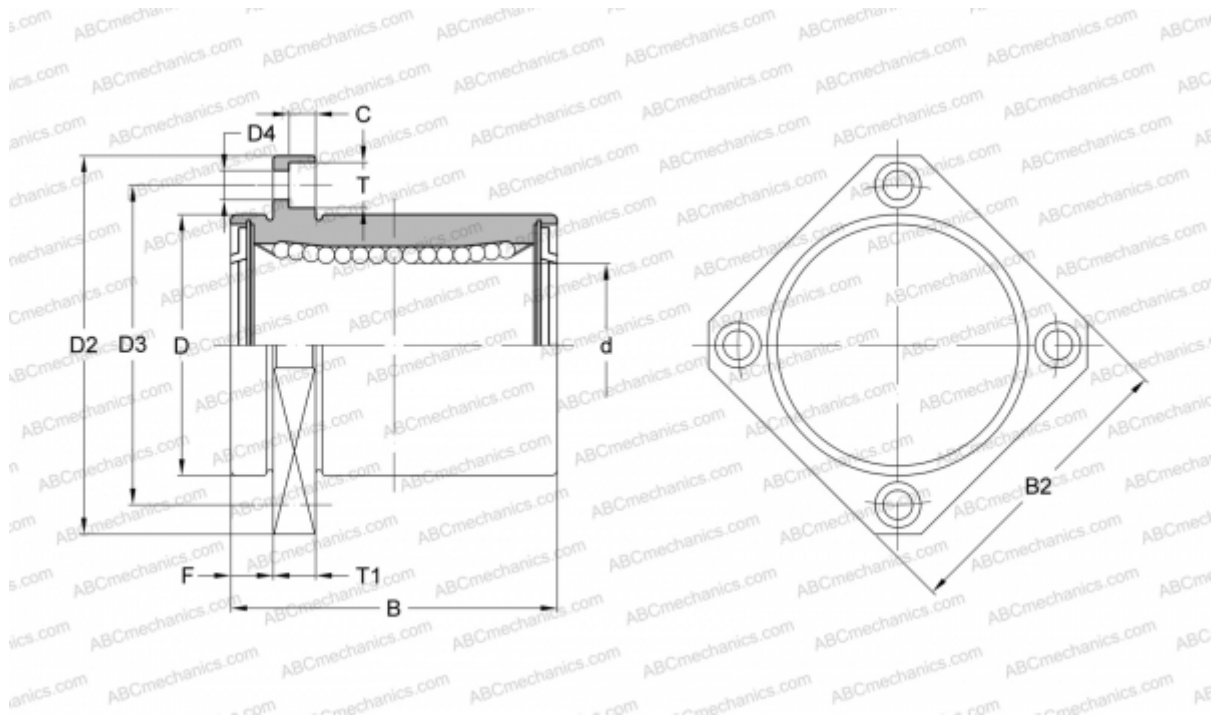


LMEKP16 UU SAMICK

Linear bushing

TYPE: Shaft guidance systems, Linear bushing, Pilot flange location, Square type, Type LMEKP, European standard, Plastic cage (SAMICK)



Technical specification

DIMENSIONS, MM

d	16,000
D	26,000
B	36,000
D2	46,000
D3	36,000
D4	4,500
B2	35,000
T	8,000
T1	6,000
C	4,400
F	6

WEIGHT, KG 0,120

MANUFACTURER [SAMICK](#)