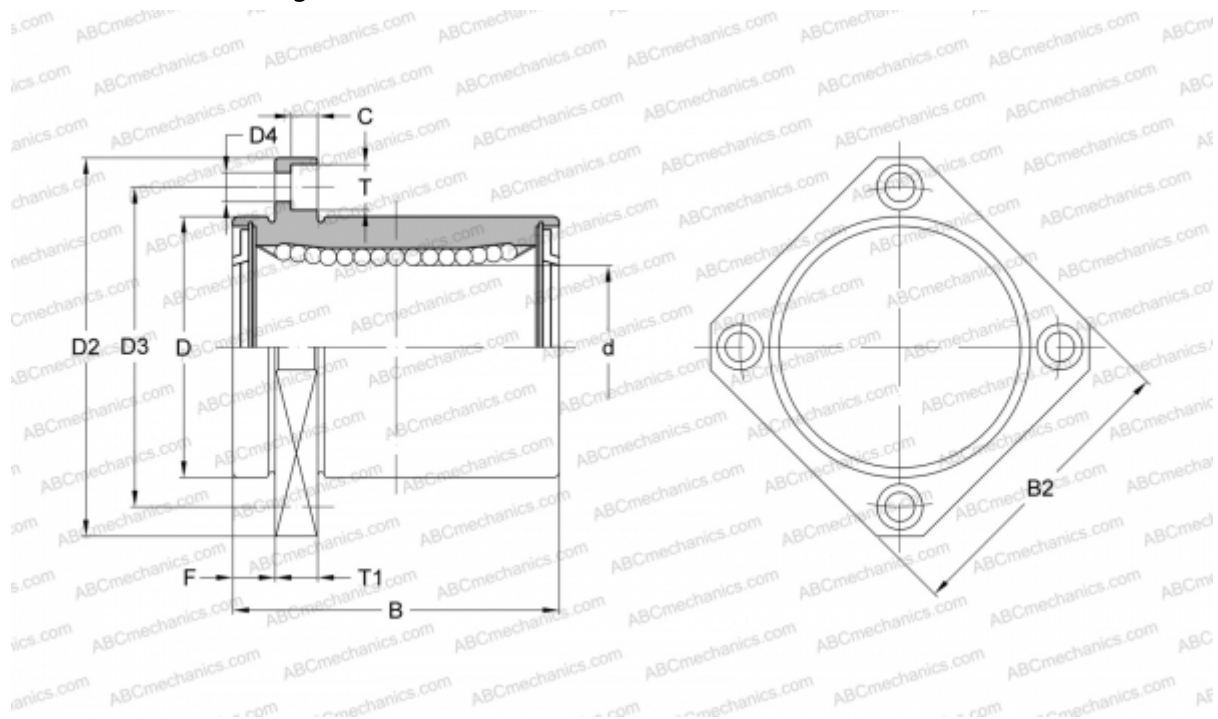


## LMEKP8 UU A SAMICK

Linear bushing

TYPE: Shaft guidance systems, Linear bushing, Pilot flange location, Square type, Type LMEKP, European standard, Steel cage (SAMICK)



### Technical specification

#### DIMENSIONS, MM

d	8,000
D	16,000
B	25,000
D2	32,000
D3	24,000
D4	3,400
B2	25,000
T	6,500
T1	5,000
C	3,300
F	5

**WEIGHT, KG** 0,044

**MANUFACTURER** [SAMICK](http://www.samick.com)