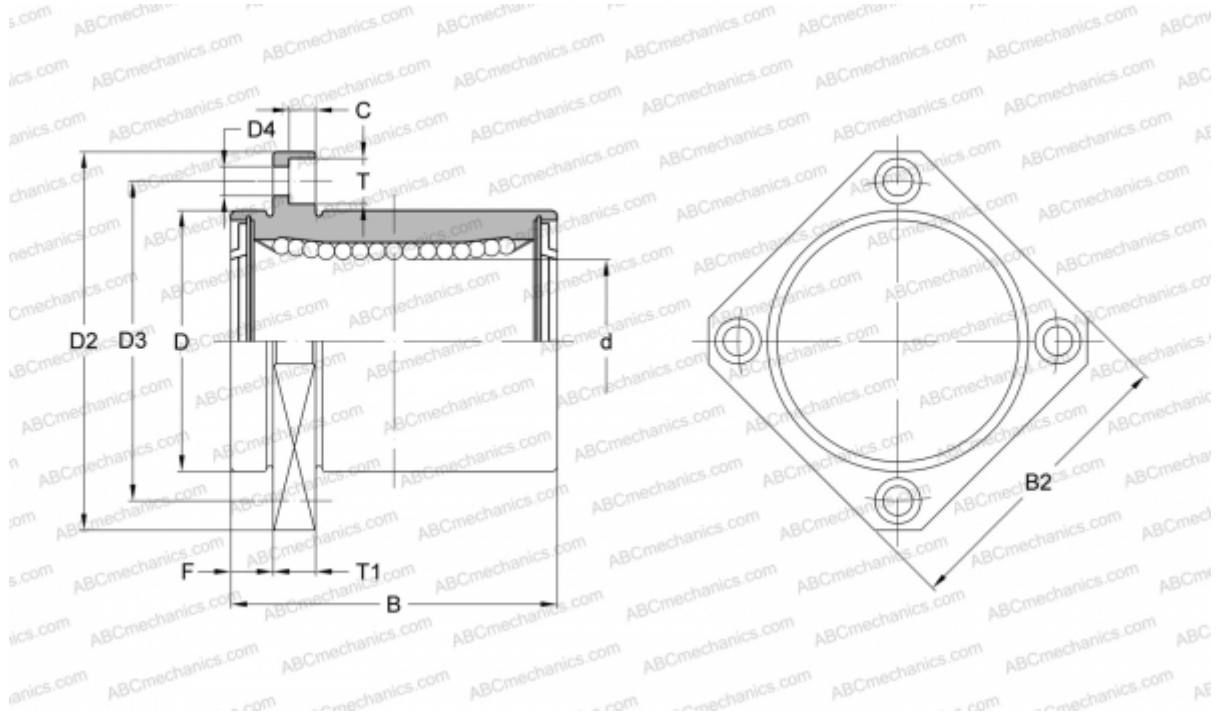


LMKP6 UU SAMICK

Linear bushing

TYPE: Shaft guidance systems, Linear bushing, Pilot flange location, Square type, Type LMKP, Asian standard, Plastic cage (SAMICK)



Technical specification

DIMENSIONS, MM

| | |
|----|--------|
| d | 6,000 |
| D | 12,000 |
| B | 19,000 |
| D2 | 28,000 |
| D3 | 20,000 |
| D4 | 3,400 |
| B2 | 22,000 |
| T | 6,500 |
| T1 | 5,000 |
| C | 3,300 |
| F | 5 |

WEIGHT, KG 0,027

MANUFACTURER [SAMICK](#)