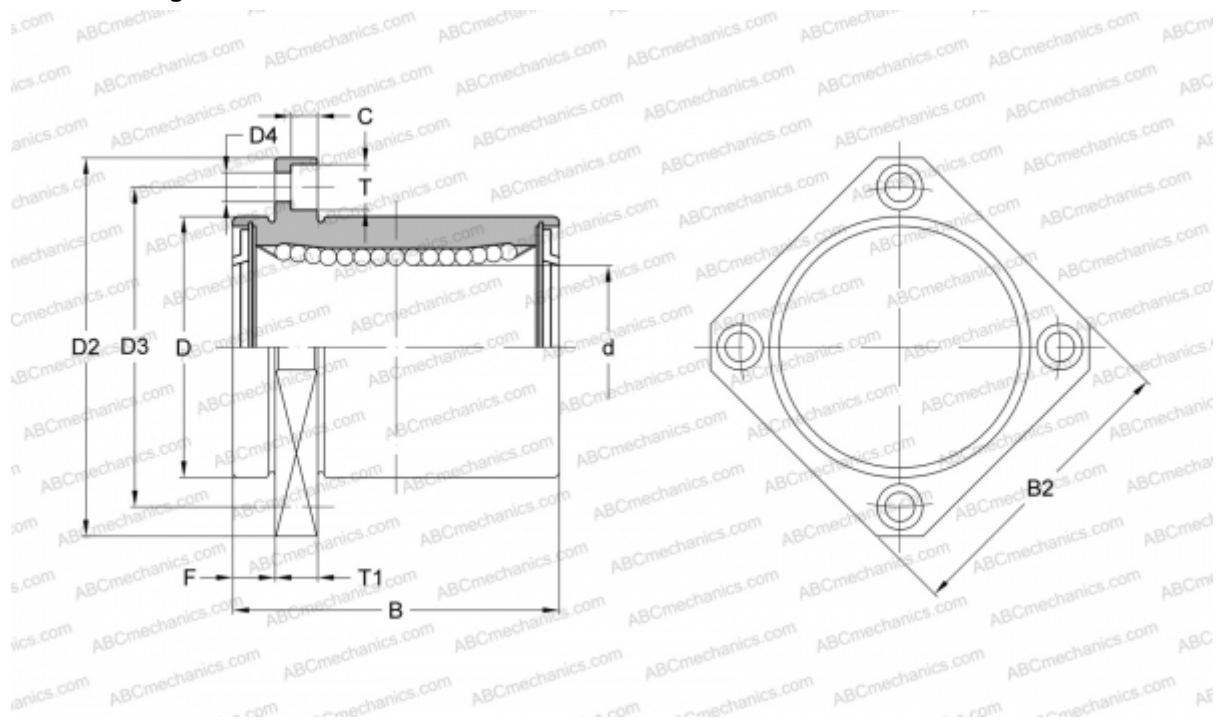


## LMKP35 UU SAMICK

Linear bushing

TYPE: Shaft guidance systems, Linear bushing, Pilot flange location, Square type, Type LMKP, Asian standard, Plastic cage (SAMICK)



### Technical specification

#### DIMENSIONS, MM

|    |        |
|----|--------|
| d  | 35,000 |
| D  | 52,000 |
| B  | 70,000 |
| D2 | 82,000 |
| D3 | 67,000 |
| D4 | 6,600  |
| B2 | 64,000 |
| T  | 11,000 |
| T1 | 10,000 |
| C  | 6,500  |
| F  | 10     |

**WEIGHT, KG** 0,795

**MANUFACTURER** [SAMICK](http://www.samick.com)