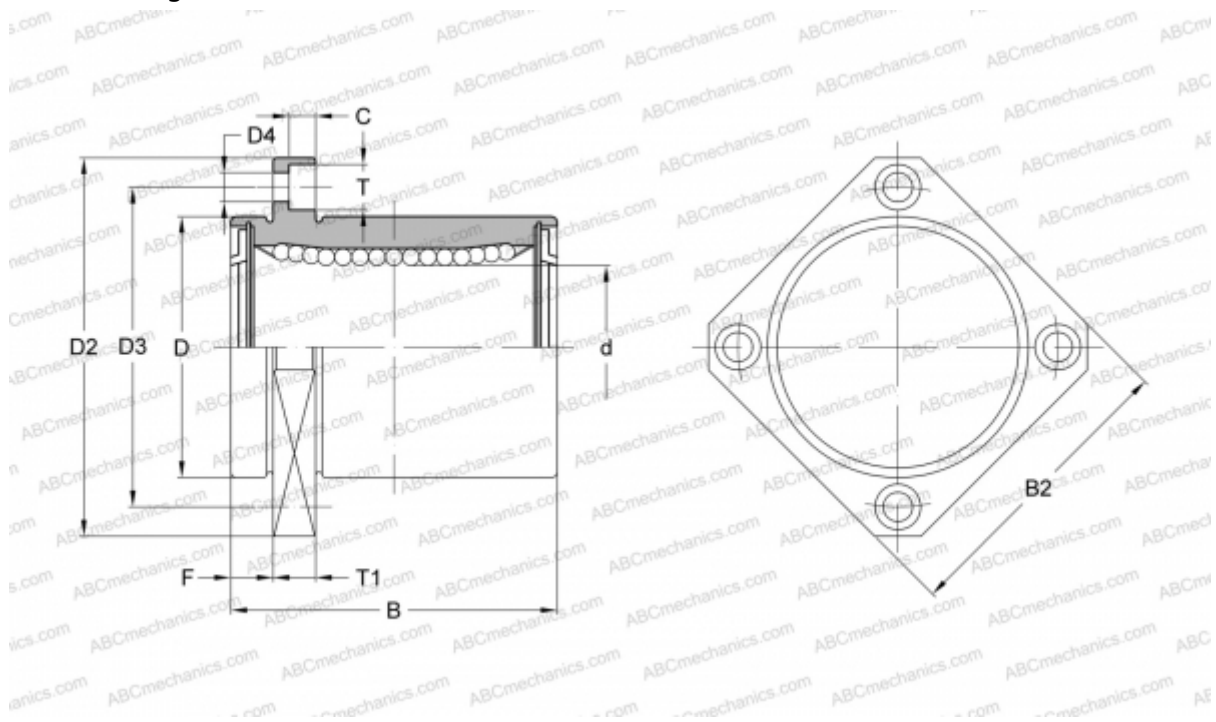


LMKP50 UU SAMICK

Linear bushing

TYPE: Shaft guidance systems, Linear bushing, Pilot flange location, Square type, Type LMKP, Asian standard, Plastic cage (SAMICK)



Technical specification

DIMENSIONS, MM

d	50,000
D	80,000
B	100,000
D2	116,000
D3	98,000
D4	9,000
B2	92,000
T	14,000
T1	13,000
C	8,600
F	13

WEIGHT, KG 2,200

MANUFACTURER [SAMICK](http://www.samick.com)