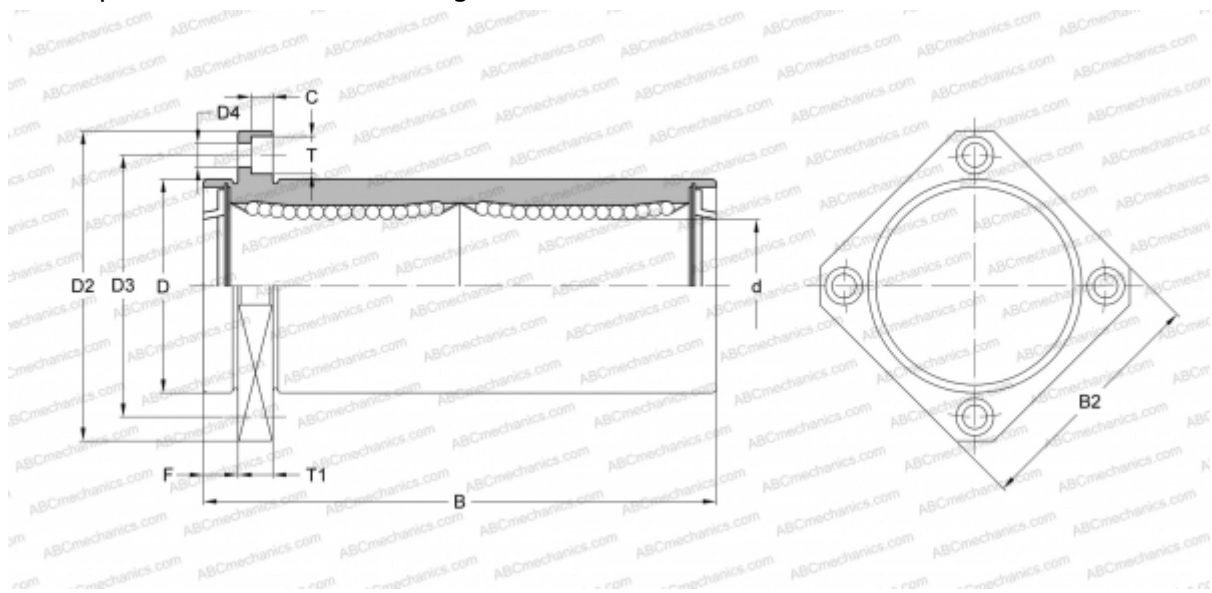


LMEKP60L UU SAMICK

Linear bushing

TYPE: Shaft guidance systems, Linear bushing, Pilot flange location, Square type, double length, Type LMEKP..L, European standard, Plastic cage (SAMICK)



Technical specification

DIMENSIONS, MM

d	60,000
D	90,000
B	211,000
D2	134,000
D3	112,000
D4	11,000
B2	106,000
T	17,500
T1	18,000
C	10,800
F	18

WEIGHT, KG 4,500

MANUFACTURER [SAMICK](#)