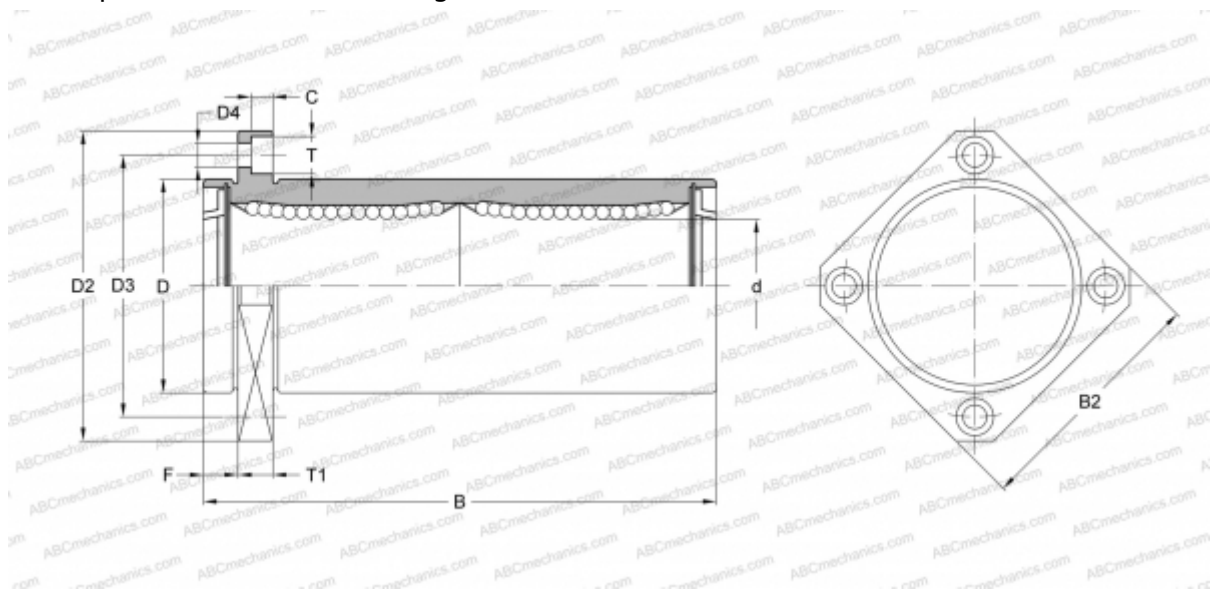


LMEKP12L UU A SAMICK

Linear bushing

TYPE: Shaft guidance systems, Linear bushing, Pilot flange location, Square type, double length, Type LMEKP..L, European standard, Steel cage (SAMICK)



Technical specification

DIMENSIONS, MM

d	12,000
D	22,000
B	57,000
D2	42,000
D3	32,000
D4	4,500
B2	32,000
T	8,000
T1	6,000
C	4,400
F	6

WEIGHT, KG 0,100

MANUFACTURER [SAMICK](#)