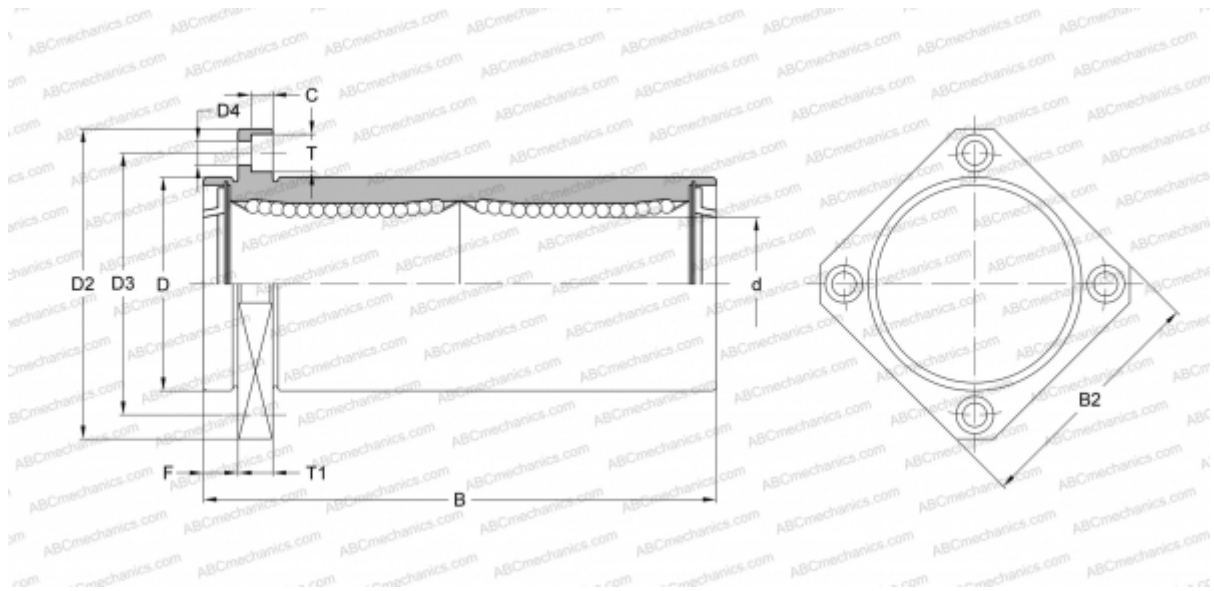


## LMEKP25L UU A SAMICK

Linear bushing

TYPE: Shaft guidance systems, Linear bushing, Pilot flange location, Square type, double length, Type LMEKP..L, European standard, Steel cage (SAMICK)



### Technical specification

#### DIMENSIONS, MM

|    |         |
|----|---------|
| d  | 25,000  |
| D  | 40,000  |
| B  | 112,000 |
| D2 | 62,000  |
| D3 | 51,000  |
| D4 | 5,500   |
| B2 | 50,000  |
| T  | 9,500   |
| T1 | 8,000   |
| C  | 5,400   |
| F  | 8       |

**WEIGHT, KG** 0,515

**MANUFACTURER** [SAMICK](#)