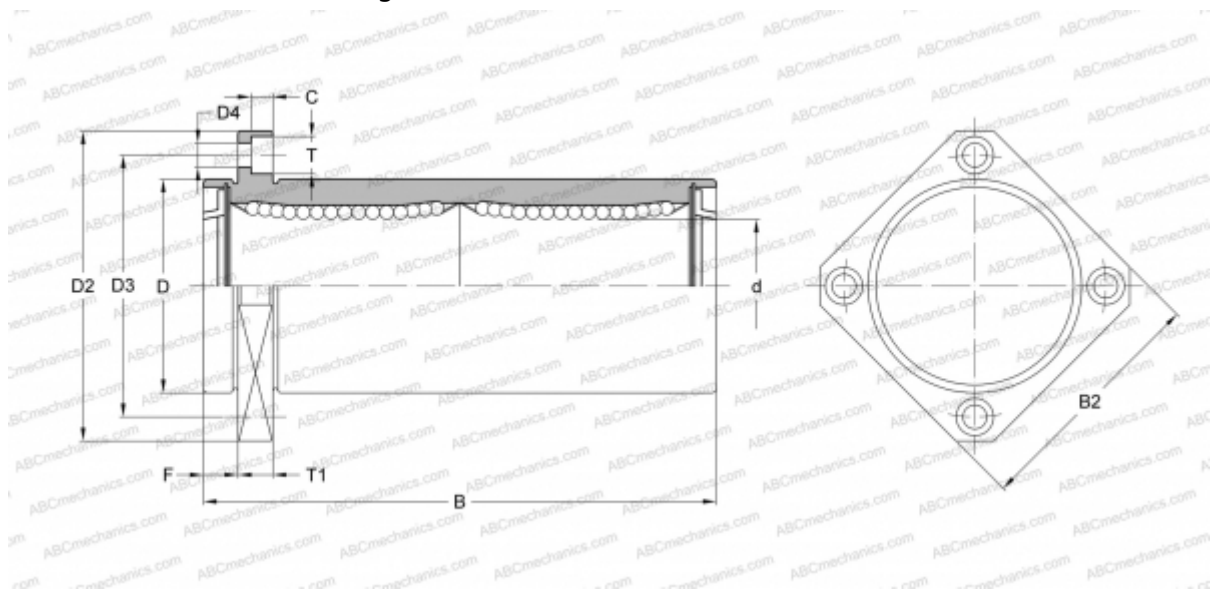


LMKP30L UU SAMICK

Linear bushing

TYPE: Shaft guidance systems, Linear bushing, Pilot flange location, Square type, double length, Type LMKP..L, Asian standard, Plastic cage (SAMICK)



Technical specification

DIMENSIONS, MM

| | |
|----|---------|
| d | 30,000 |
| D | 45,000 |
| B | 123,000 |
| D2 | 74,000 |
| D3 | 60,000 |
| D4 | 6,600 |
| B2 | 58,000 |
| T | 11,000 |
| T1 | 10,000 |
| C | 6,500 |
| F | 10 |

WEIGHT, KG 0,655

MANUFACTURER [SAMICK](#)