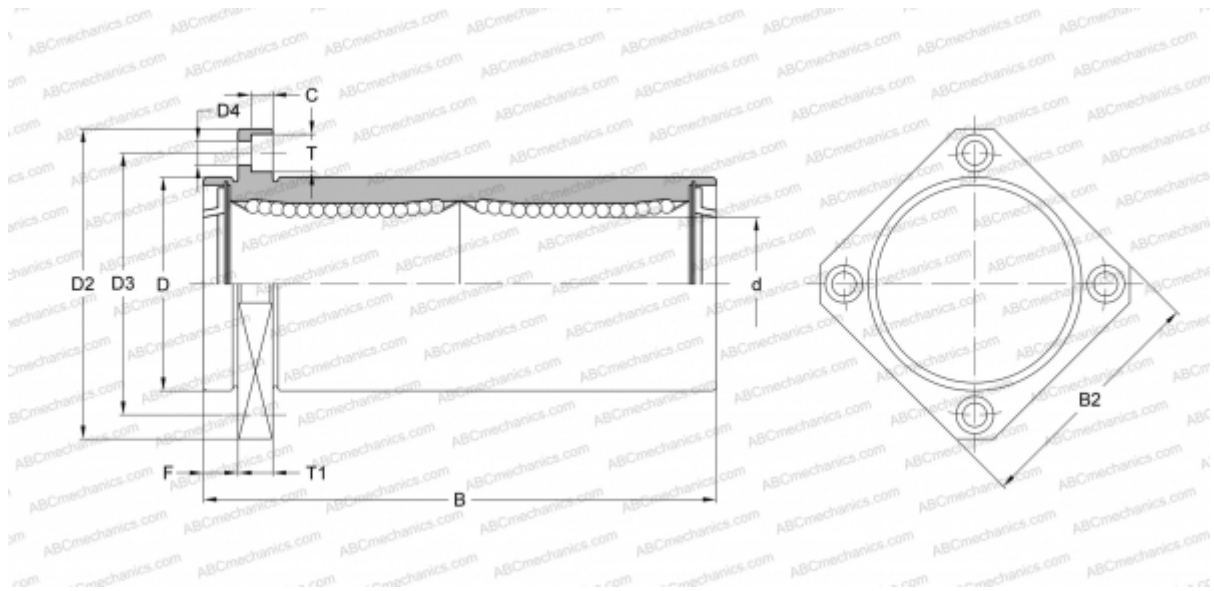


## LMKP50L UU SAMICK

Linear bushing

TYPE: Shaft guidance systems, Linear bushing, Pilot flange location, Square type, double length, Type LMKP..L, Asian standard, Plastic cage (SAMICK)



### Technical specification

#### DIMENSIONS, MM

d	50,000
D	80,000
B	192,000
D2	116,000
D3	98,000
D4	9,000
B2	92,000
T	14,000
T1	13,000
C	8,600
F	13

**WEIGHT, KG** 3,500

**MANUFACTURER** [SAMICK](#)