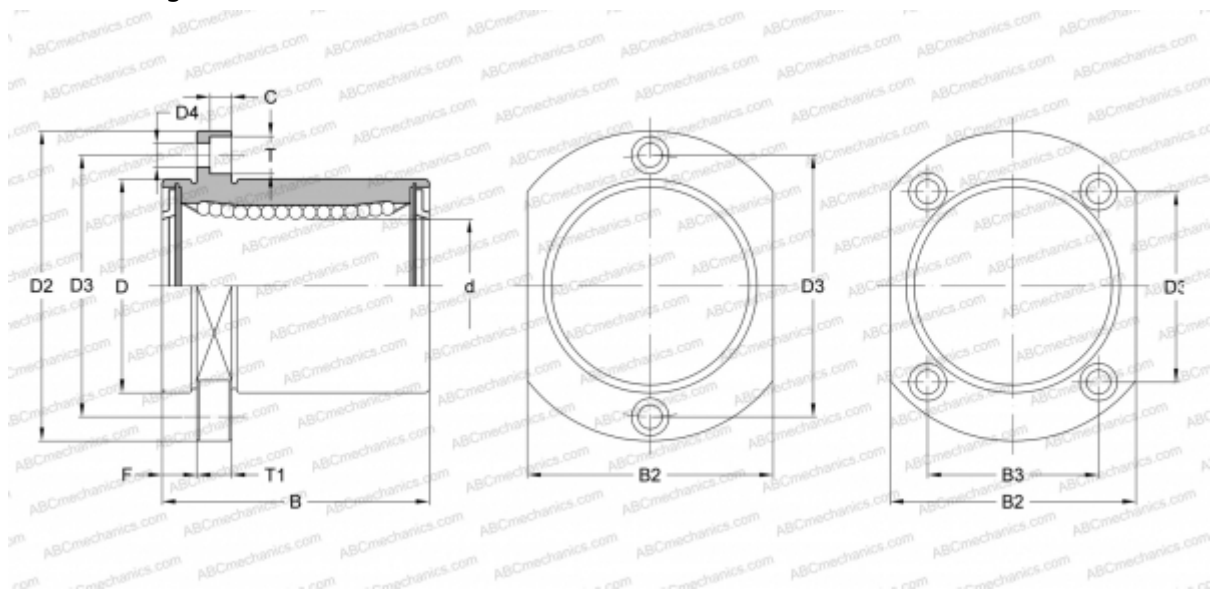


LMHP30 UU SAMICK

Linear bushing

TYPE: Shaft guidance systems, Linear bushing, Pilot flange location, Oval type, Type LMHP, Asian standard, Plastic cage (SAMICK)



Technical specification

DIMENSIONS, MM

d	30,000
D	45,000
B	64,000
D2	74,000
D3	49,000
D4	6,600
B2	51,000
B3	35,000
T	11,000
T1	10,000
C	6,500
F	10

WEIGHT, KG 0,460

MANUFACTURER [SAMICK](http://www.samick.com)