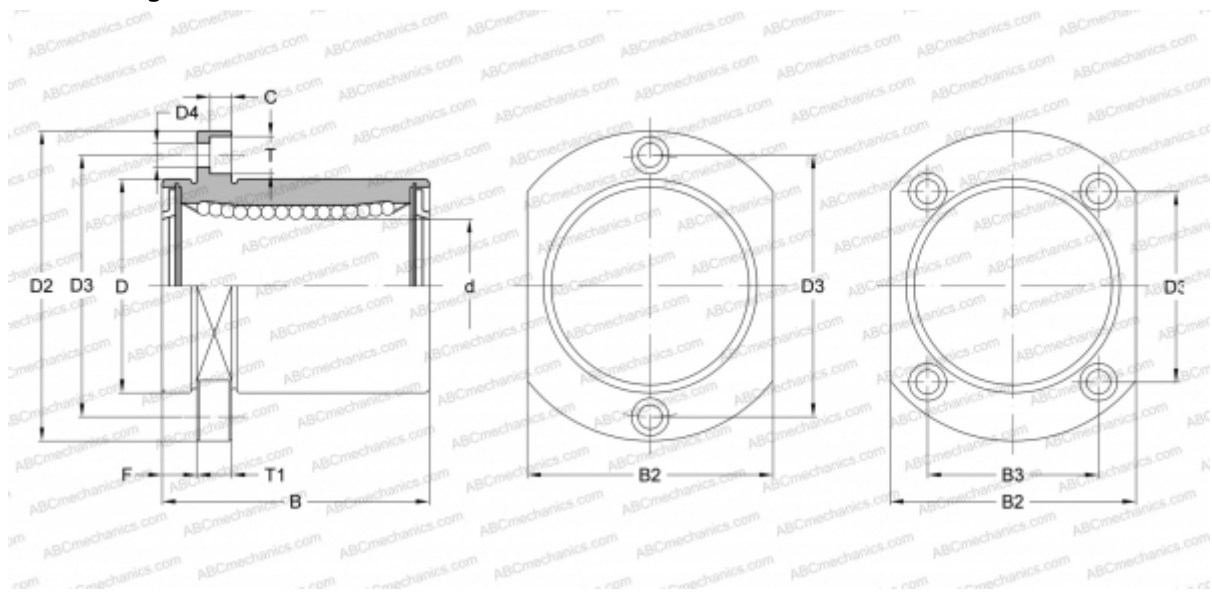


## LMHP13 UU A SAMICK

Linear bushing

TYPE: Shaft guidance systems, Linear bushing, Pilot flange location, Oval type, Type LMHP, Asian standard, Steel cage (SAMICK)



### Technical specification

#### DIMENSIONS, MM

d	13,000
D	23,000
B	32,000
D2	43,000
D3	33,000
D4	4,500
B2	29,000
T	8,000
T1	6,000
C	4,400
F	6

**WEIGHT, KG** 0,094

**MANUFACTURER** [SAMICK](#)