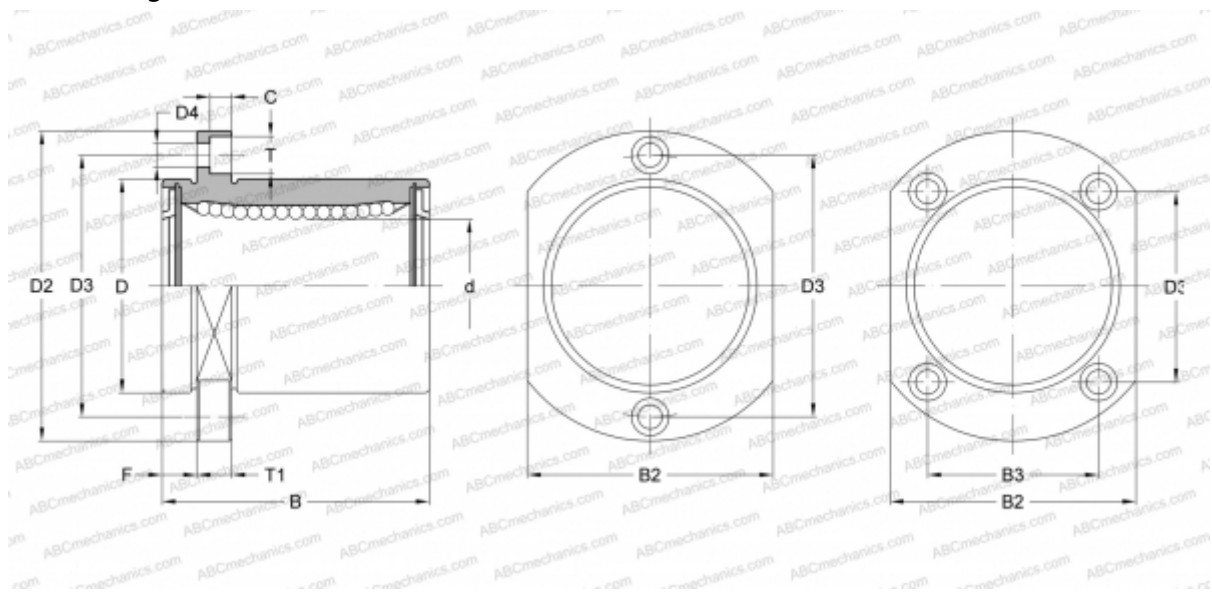


## LMHP16 UU A SAMICK

Linear bushing

TYPE: Shaft guidance systems, Linear bushing, Pilot flange location, Oval type, Type LMHP, Asian standard, Steel cage (SAMICK)



### Technical specification

#### DIMENSIONS, MM

d	16,000
D	28,000
B	37,000
D2	48,000
D3	31,000
D4	4,500
B2	34,000
B3	22,000
T	8,000
T1	6,000
C	4,400
F	6

**WEIGHT, KG** 0,134

**MANUFACTURER** [SAMICK](http://www.samick.com)