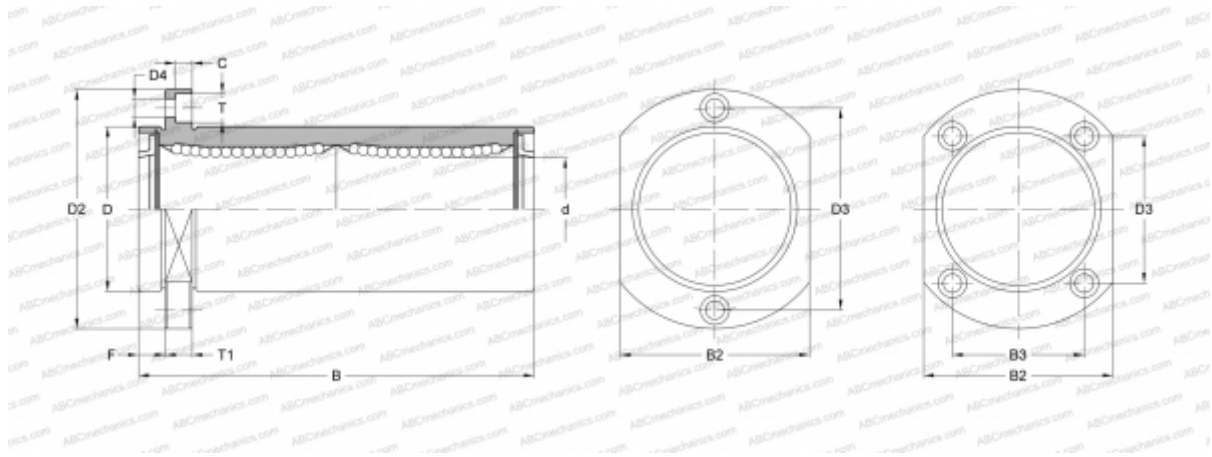


## LMHP20L UU A SAMICK

Linear bushing

TYPE: Shaft guidance systems, Linear bushing, Pilot flange location, Oval type, double length, Type LMHP..L, Asian standard, Steel cage (SAMICK)



### Technical specification

#### DIMENSIONS, MM

|    |        |
|----|--------|
| d  | 20,000 |
| D  | 32,000 |
| B  | 80,000 |
| D2 | 54,000 |
| D3 | 36,000 |
| D4 | 5,500  |
| B2 | 38,000 |
| B3 | 24,000 |
| T  | 9,500  |
| T1 | 8,000  |
| C  | 5,400  |
| F  | 8      |

**WEIGHT, KG** 0,260

**MANUFACTURER** [SAMICK](#)